



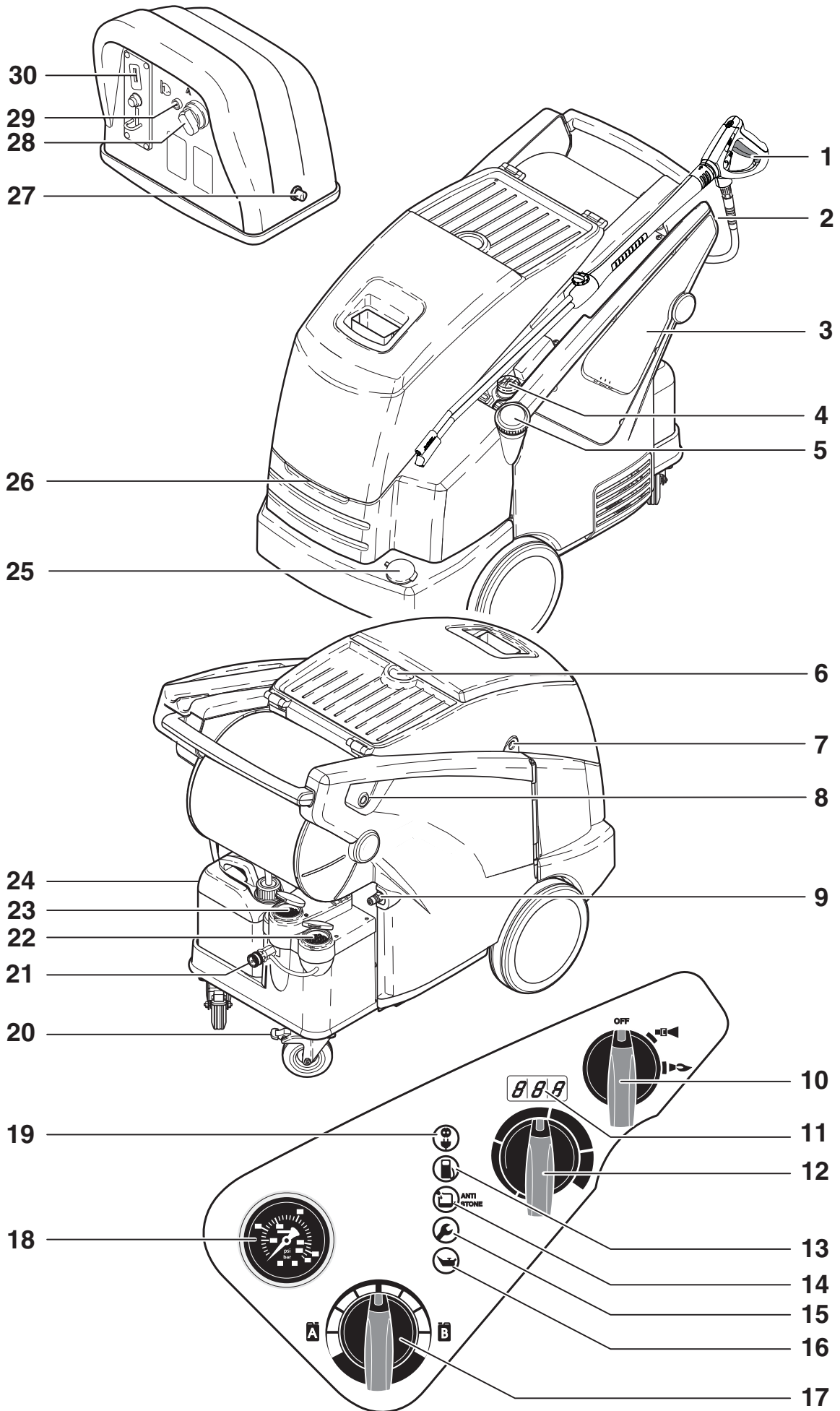
NEPTUNE 5 SB FA



Nilfisk
ALTO
Why Compromise

(EN) Operating Instructions1-22

(DE) Betriebsanleitung.....23-43





Contents

| | | |
|--|--|----|
| Symbols used to mark instructions | | 2 |
| 1 Important safety instructions | | 2 |
| 2 Description | 2.1 Purpose..... | 4 |
| | 2.2 Operating elements..... | 5 |
| 3 Before starting the cleaner | 3.1 Transport and assembly..... | 5 |
| | 3.2 Set the brake..... | 5 |
| | 3.3 Install Crank handle for high pressure hose reel/cord reel...6 | 6 |
| | 3.4 Fill up detergent tanks..... | 6 |
| | 3.5 Fill up tank for Nilfisk-ALTO AntiStone (Anti-Scale).....6 | 6 |
| | 3.6 Antiscale..... | 6 |
| | 3.7 Fill up fuel tank..... | 7 |
| | 3.8 Connecting the high pressure hose..... | 7 |
| | 3.9 Connecting the water supply..... | 7 |
| | 3.10 Electrical connection..... | 8 |
| | 3.11 Antifreeze - before first use..... | 8 |
| 4 Control / Operation | 4.1 Connections..... | 8 |
| | 4.2 Selecting self-service mode / manual mode..... | 8 |
| | 4.3 Self-service mode..... | 9 |
| | 4.4 Manual mode..... | 11 |
| | 4.5 Using cleaning agents..... | 12 |
| 5 Applications and methods | 5.1 Techniques..... | 13 |
| | 5.2 Some typical cleaning tasks..... | 14 |
| 6 After using the cleaner | 6.1 Switching off the cleaner..... | 16 |
| | 6.2 Disconnecting supply lines..... | 16 |
| | 6.3 Rolling up the electrical lead and storing accessories..... | 16 |
| | 6.4 Storing the cleaner (below 0°C (32°F / Freezing)..... | 16 |
| 7 Maintenance | 7.1 Maintenance Schedule..... | 17 |
| | 7.2 Maintenance work..... | 17 |
| 8 Troubleshooting | 8.1 Indications on Display..... | 19 |
| | 8.2 Indication lights on control panel..... | 20 |
| | 8.3 Other Faults..... | 20 |
| 9 Further information | 9.1 Recycling the cleaner..... | 21 |
| | 9.2 Guarantee..... | 21 |
| | 9.3 EU Declaration of Conformity..... | 22 |
| | 9.4 Technical data..... | 44 |



Symbols used to mark instructions



Safety instructions in these operating instructions which must be observed to prevent risks to persons are marked with this danger symbol.



This indicates tips and instructions to simplify work and to ensure safe operation.



Before using the high-pressure cleaner, be sure to also read the enclosed operating instructions and keep them within reach at all times.



This symbol is used to mark safety instructions that must be observed to prevent damage to the machine and its performance.



Operations marked with this symbol should only be carried out by Nilfisk-ALTO Service Technicians.

1 Important safety instructions



For your own safety

The appliance must

- only be used by persons, who have been instructed in its correct usage and explicitly commissioned with the task of operating it.
- only be operated under supervision.
- not be used by children.
- not be used by mentally or physically disabled persons

Warning

Ensure that any exhaust emissions are not in the vicinity of air intakes.

This machine shall only be used with cleaning chemicals supplied or recommended by Nilfisk-ALTO. The use of other cleaning chemicals may adversely affect the safety of the machine.

General

Use of the high-pressure cleaner is subject to the applicable local regulations.

Besides the operating instruc-

tions and the binding accident prevention regulations valid in the country of use, observe recognized regulations for safety and proper use.

Do not use any unsafe work techniques.

Do not tie the trigger handle open.

Transport

Transport of the high-pressure cleaner is easy on its large wheels.

For safe transport in and on vehicles we recommend preventing the equipment from sliding and tilting. Secure it with tie-downs and apply the parking brake on the castor wheel.

For transport at temperatures around or below freezing 0°C (32°F), anti-freeze should be drawn into the pump beforehand (see chapter 6).

Before starting the cleaner

If your 3-phase cleaner was supplied without a plug, have it fitted with a suitable 3-phase plug with ground, by a qualified electrician.

Before use, check that the high-pressure cleaner is safe and in proper condition.

Regularly check whether the power cord is damaged or shows signs of ageing.

Use the high-pressure cleaner only when the power cord is in a safe condition. (risk of electric shock using damaged cord!).

Check the rated voltage of the high-pressure cleaner before connecting it to the mains power supply. Ensure that the voltage shown on the rating plate corresponds to the voltage of the power supply.

We strongly recommend that the power supply to the high pressure cleaner be connected via a residual current circuit breaker. This device stops the supply of electricity if the leakage current to the ground exceeds 30 mA for 30 ms or it has an ground tester circuit.

Please observe the regulations and provisions applicable in your area. Before putting the high-pressure cleaner into service, carry out a visual check of all the major components.

CAUTION!

High-pressure water jets can be dangerous if misused. The jet must not be directed at persons, animals, live electrical equipment or the cleaner itself.

Wear appropriate protective clothing and eye protection.

Do not direct the jet towards yourself or towards other persons in order to clean clothes or footwear.

During operation of the cleaner, recoil forces are produced at the gunvalve and spray lance and, when the spray lance is held at an angle, a torque is also created. The gunvalve and spray lance must therefore be held firmly in both hands.

Do not use the cleaner when other people without protective clothing are in the working area.

Check that cleaning will not result in dangerous substances (e.g. asbestos, oil) being washed off the object to be cleaned and harming the environment.

Do not clean delicate parts made of rubber, fabric, etc. with the 0° jet. Keep some distance between high pressure nozzle and surface in order to prevent the surface from damage. Do not use the high-pressure hose for lifting loads.

NOTE!

The maximum permissible working pressure and temperature are printed on the high-pressure hose.

Do not use the cleaner if the power cord or high-pressure hose is damaged.

Ensure adequate air circulation. Do not cover the cleaner or operate it in inadequately ventilated rooms!



Store the cleaner where it will not be exposed to frost or use antifreeze liquid!

Never operate the cleaner without water. Even brief shortages of water result in severe damage to the pump seals.

Water connection

This high pressure washer/cleaner is only allowed to be connected with the drinking water

mains, when an appropriate backflow preventer has been installed, Type BA according to EN 1717. If the back flow preventer hasn't been supplied, one can be ordered from your dealer. The length of the hose between the backflow preventer and the high pressure washer must be at least 12 metres (min diameter 3/4 inch) to absorb possible pressure peaks. Operation by suction (for example from a rainwater vessel) is carried out without backflow preventer. Contact your dealer for suction set recommendations. As soon as water has flown through the BA valve, this water is not considered to be drinking water any more.

Operation

Keep cabinet and service door closed during operation.

CAUTION!

Unsuitable extension cords can represent a source of danger. Always unwind cord from the reels completely to prevent the power cord overheating.

Connectors and couplings of extension cords must be watertight.

Extension cords are not recommended, however if necessary refer to the following recommendations:

| Cord length m | Cross section | |
|---|---|--|
| | up to 16 A | up to 25 A |
| up to 20 m (US: 30 ft) (US: 50 ft) (US: 75 ft) | ø1.5mm ² 14 gauge 12 gauge 10 gauge | ø2.5mm ² 12 gauge 10 gauge not recommended |
| 20 to 50 m | ø2.5mm ² | ø4.0mm ² |

Do not damage the power cord (e.g. by driving over it, pulling or crushing it).

Disconnect the power cord by grasping the plug only (do not pull or tug the power cord).

CAUTION!

Unsuitable fuels (e.g. gasoline) must not be used as they can explode and catch fire.

Use clean fuel only, free of moisture and contamination. Contact your dealer for fuel source and type recommendations.

If the machine is to be operated at fuel stations or in other potentially hazardous areas, the machine may only be employed outside the hazard areas defined in the German „Technical Guidelines for Inflammable Fluids“ applicable at the point of use due to the potential explosion hazard posed by the burner.

If the machine is to be operated indoors, the local building regulations must be observed for the discharge of the exhaust fumes into the atmosphere. Ensure an adequate supply of fresh air.

If the machine is to be connected to a flue gas stack, then local building regulations must be observed. We will be glad to provide tips for connection systems, on request.

CAUTION!

Beware of hot water and steam discharge up to 150°C when operating in steam stage.

CAUTION!

Do not touch or cover the exhaust. Risk of burns and fire.





Do not touch, cover or place hose or cord over the chimney. Danger for persons, risk of overheating and fire.

Electrical equipment



CAUTION!
Never spray electrical equipment with water: risk of electrical shock and short-circuit.

The cleaner may only be connected to a correctly installed plug socket.

Switching on the cleaner may cause voltage fluctuations. Voltage fluctuations should not occur if the impedance at the transfer point is less than 0.15Ω . If in doubt ask your local electricity supplier.

Maintenance and repair

CAUTION!
Always remove the plug from the power supply before cleaning or carrying out maintenance work on the cleaner.

Carry out only the maintenance operations described in the operating instructions. Use only original Nilfisk-ALTO spare parts. Do not make any technical modifications to the high-pressure

cleaner.

Ensure that the machine is regularly serviced by authorized Nilfisk-ALTO dealers in accordance with the maintenance plan. Failure to do so will void the warranty.

CAUTION!
High-pressure hoses, fittings and couplings are important for the safety of the cleaner. Use only high-pressure parts approved by the manufacturer!

The power cord must not differ from the version specified by the manufacturer and may only be changed by an electrician.

Please contact your local authorized Nilfisk-ALTO equipment distributor for all other maintenance or repair needs!

Testing

The cleaner conforms to the German „Guidelines for Liquid Spray Jet Devices“. The high-pressure cleaner must be subjected to a safety examination in accordance with the „Accident Prevention Regulations for Working with Liquid Spray Jet Devices“ as required, but at least every 12 months, by an authorised inspector.

After all repairs or modifications to electrical equipment,

the protective conductor resistance, the insulation resistance and the leakage current must be measured. Furthermore, a visual inspection of the mains power cord, a voltage and current measurement and a function test must be carried out. Our after-sales service technicians are at your disposal as authorised inspectors.

The complete „Accident Prevention Regulations for Working with Liquid Spray Jet Devices“ are available from the Carl Heymanns Verlag KG, Luxemburger Strasse 449, 50939 Cologne or from the appropriate association of employers' liability insurances.

The pressure-bearing parts of this high-pressure cleaner have been manufactured in accordance with § 9 of the German Pressure Vessels Ordinance and successfully subjected to a pressure test.

Bypass valve

The pressure is reduced by means of a "bypass valve" which returns water to the inlet side of the pump at a minimum pressure. The point at which this occurs is set and sealed at the factory and must not be adjusted.

2 Description

2.1 Purpose

This high-pressure cleaner has been designed for professional use. It can be used for cleaning agricultural and construction equipment, stables, vehicles, rusty surfaces, etc.

The cleaner has not been approved for cleaning surfaces which comes into contact with food.

Chapter 5 describes the use of the high-pressure cleaner for various cleaning jobs.

Always use the cleaner as described in these operating instructions. Any other use may damage the cleaner or the surface to be cleaned or may result in severe injury to persons.

2.2 Operating elements



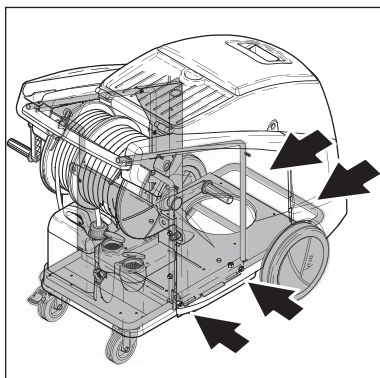
See fold-out page at front of these operating instructions.

- | | |
|--|---|
| 1. Spray lance | 17. Detergent metering knob |
| 2. Cylinder lock | 18. Pressure gauge |
| 3. Cover for control panel | 19. Power ON |
| 4. Fuel level gauge | 20. Castor with parking brake |
| 5. Tank filler for fuel | 21. Water supply connection |
| 6. Receptacle for service crane and lifting ring ¹⁾ | 22. Tank filler for anti-freeze |
| 7. Top cover release | 23. Tank filler for Nilfisk-Alto Anti-Scale |
| 8. Service door release | 24. Canister for detergent B ¹⁾ |
| 9. High pressure hose connection | 25. Tank filler for detergent A |
| 10. Main switch ON/OFF - cold water/hot water | 26. Grip for top cover |
| 11. Display (Temperature or Codes) | 27. Cylinder lock |
| 12. Temperature control | 28. Selector switch shampoo/rinsing |
| 13. Low fuel indicator | 29. Low detergent indicator |
| 14. Low Nilfisk-Alto AntiStone (Anti-Scale) indicator | 30. Coin tester |
| 15. Service interval due/expired | |
| 16. Pump oil low | |



3 Before starting the cleaner

3.1 Transport and assembly



1. The safest way to lift the machine is to use a fork-lift truck. The arrows in the illustration indicate the best places to position the fork.
2. It is also possible to lift the ma-

chine by hand from the pallet. Due to the weight this work should be done by at least three persons.

CAUTION!

Do not hold the plastic tank to lift the machine as it could become detached from the frame.

The best places to hold the machine are

- on the handle
- on the frame between the front wheels and the guide rollers.

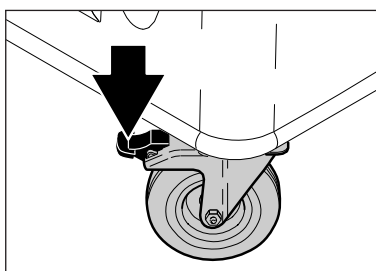
Every fuel-burning appliance, such as pressure washers, depends upon a proper mix of fuel and air (by weight) for proper combustion. Therefore some adjustment of the

air supply to the burner may be necessary to take account of altitude and the resulting air pressure. This is true whether your fuel is 'Natural gas', Propane or Diesel.

Your Nilfisk-ALTO hot water pressure washer was thoroughly tested and adjusted for optimum performance before it left our factory. The factory is located at approximately 120m (390 ft) above sea level, and the combustion settings are optimal for that elevation.

If your location is higher than 1200m (3900 ft) above sea level, your burner may require re-adjustment for proper performance and best fuel economy. Contact your Dealer or Nilfisk-ALTO for assistance.

3.2 Set the brake

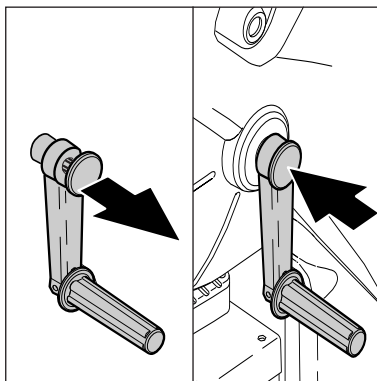


1. Before using the cleaner for the first time, check it carefully for any faults or damage.
2. Run the machine only when it is in perfect working condition.
3. Set the brake.
4. The slope on which the high pressure cleaner is placed must not exceed more than 10° in any direction.

¹⁾ Options / model variants

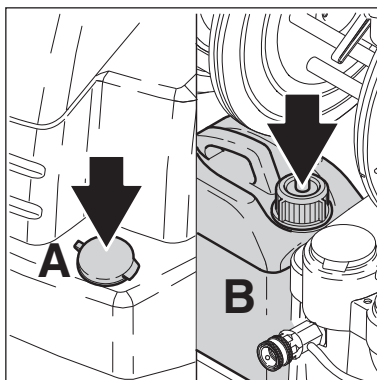


3.3 Install Crank handle for high pressure hose reel/cord reel



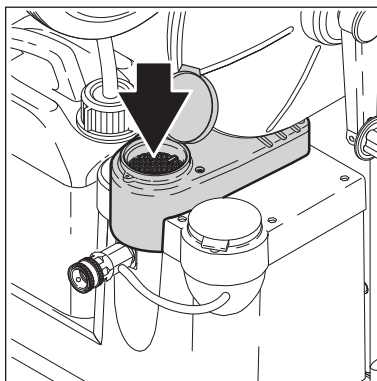
1. Pull cap of crank in arrow direction.
2. Align tabs on crank with slot in axle.
3. Put crank on axle of high pressure hose reel/cord reel.
4. Fix crank by pushing the cap.

3.4 Fill up detergent tanks



1. Fill up detergent tanks (A) and (B) with prediluted detergent. Capacity see chapter 9.4 Technical Data

3.5 Fill up tank for Nilfisk-ALTO AntiStone (Anti-Scale)



1. Fill up Nilfisk-ALTO Anti-Stone (Anti-Scale)/water softener reservoir with the sample bottle provided. Nilfisk-ALTO AntiStone (Anti-Scale) prevents any deposits of scale and acts at the same time as a corrosion inhibitor.

For compatibility reasons, use only the tested Nilfisk-ALTO AntiStone (Anti-Scale) which is available as a six-pack of 1 liter bottles by ordering part number 8466.

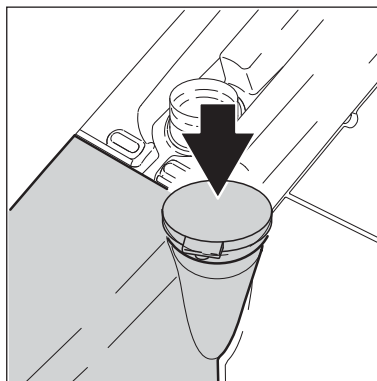
3.6 Antiscale

The Nilfisk Alto Antiscale dosing system is set by the factory. To adjust the water hardness we recommend that the inlet water is tested accordingly.

Use the schematic to find the right dosage of No Scale/anti stone and water, and add the mixture to the antiscale tank.

| Machine flow L/h | Pump size ml/h | °dH | °f | °e | Dosage |
|------------------|----------------|-------|-------------|-----------|---------------|
| 900 | 35 | 0-12 | 0-21,5 | 0 - 15 | 1:1 = 17ml/h |
| 900 | 35 | 12-30 | 21,5 - 53,7 | 15 - 37,5 | Pure = 35ml/h |
| 1000 | 35 | 0-12 | 0-21,5 | 0 - 15 | 1:1 = 17ml/h |
| 1000 | 35 | 12-30 | 21,5 - 53,7 | 15 - 37,5 | Pure = 35ml/h |

3.7 Fill up fuel tank



With the machine cold, turned off and disconnected from power supply:



1. Fill fuel tank from a clean container with a fresh fuel (fuel oil EL, or Diesel oil DIN 51 603), or fuel type recommended by your distributor.

The fuel must be free from contamination.

Tank capacity see chapter 9.4 Technical data.

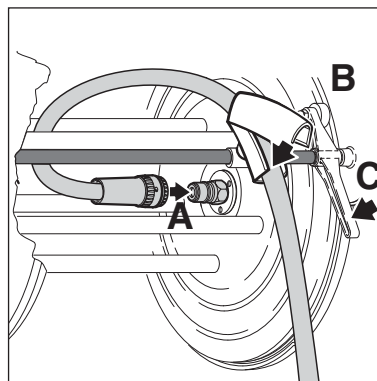
NOTE!

At temperatures below 8°C (46°F), the fuel oil begins to solidify (paraffin precipitation). This can lead to difficulties in starting the burner. Before the winter

months it is recommended that a fuel conditioner/stabilizer be added (available from the fuel oil trade).

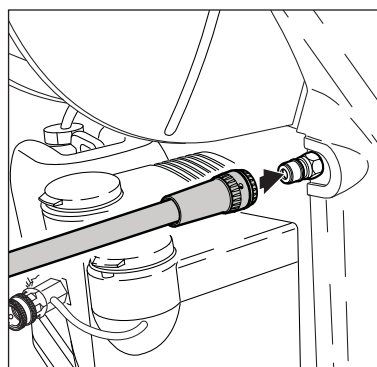
3.8 Connecting the high pressure hose

3.8.1 Machines with high pressure hose reel¹⁾



1. Connect the high pressure hose quick connector to the high pressure nipple (A) located at the hose reel axle.
2. Place the high pressure hose into the hose guide (B) and retain it with the clip.
3. Release the brake (C) on the hose reel and wind up the high pressure hose.

3.8.2 Machines without high pressure hose reel



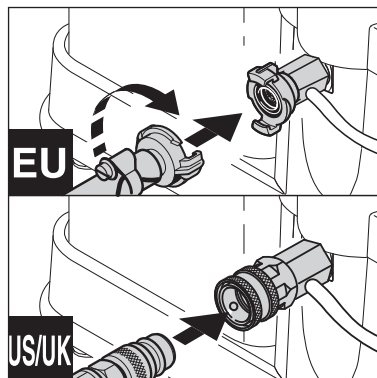
1. Connect the high pressure hose quick connector to the high pressure nipple located at right rear of machine above chemical tank.

3.9 Connecting the water supply

NOTE!

See chapter 9.4 Technical Data for required quantity of water and water pressure.

In the case of poor water quality (sand, etc.), it is recommended that an inlet water filter be installed.



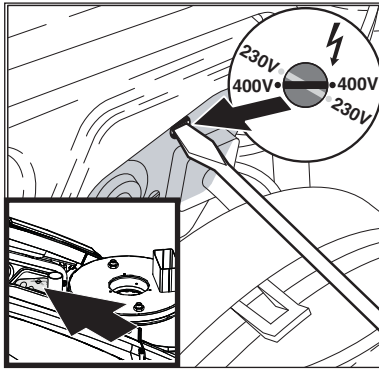
1. Attach quick connect adapter found with Owners Manual to the water supply hose.
2. Rinse the water supply hose briefly in order to prevent sand and other dirt particles entering into the machine.
3. Attach water supply hose with adapter to inlet quick connector.
4. Open water supply faucet.

Water supply hose should be a reinforced hose and have a minimum inside diameter of **3/4" (19 mm)**.

¹⁾ Options / model variants



3.10 Electrical connection



CAUTION!



Some models have the ability to be used on either 230 Volt or a 440 Volt power supply. On these models confirm that the voltage selector switch is in the proper position to match the power supply. Otherwise damage to machines electrical components may occur.

CAUTION!

When using a cord reel:

1. Release brake of the cord reel.
2. Unwind the cord completely.

CAUTION!

The cleaner should only be connected to a correctly installed electrical supply.

1. Observe safety instructions in chapter 1.
2. Insert the plug into the electrical socket.

3.11 Antifreeze - before first use

The machine is flushed with anti-freeze at the factory to protect it against freezing; this mixture (ap-

prox. 5 l) may be captured in a suitable container for reuse.

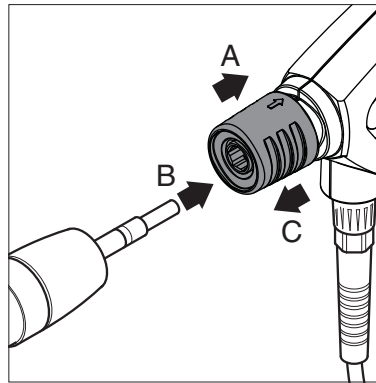
4 Control / Operation

4.1 Connections

4.1.1 Connecting the spray lance to the spray gun

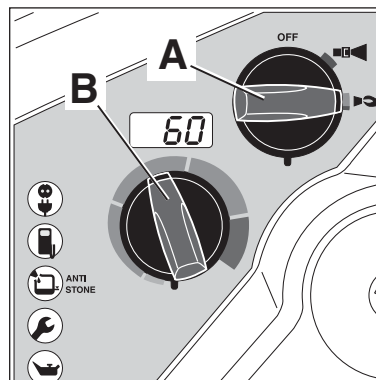
NOTE!

Always remove any dirt from the nipple before connecting the spray lance to the spray gun.



1. Pull the blue quick-release grip (A) of the spray gun backwards.
2. Insert the nipple of the spray lance (B) into the quick-release connection and release it.
3. Pull the spray lance (or other accessory) forwards to check that it is securely attached to the spray gun.

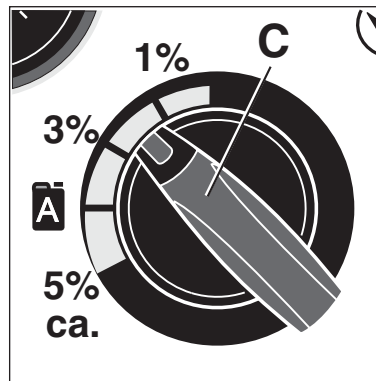
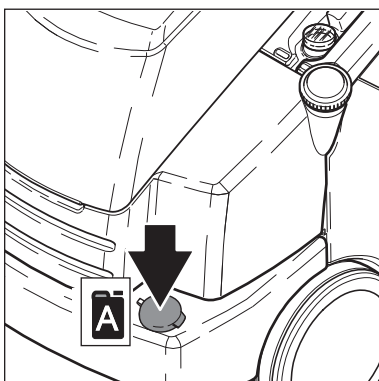
4.2 Selecting self-service mode / manual mode










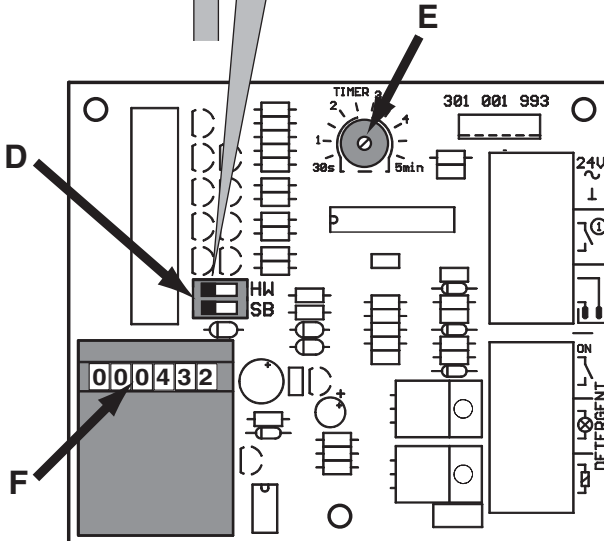
1. Open cover of control panel.
2. Turn the main switch (A) to position
3. Turn temperature controller (B) to 60 °C.
4. Select detergent A by turning the knob (C) to desired percentage.

In self-service mode the detergent is only drawn in from detergent tank A.

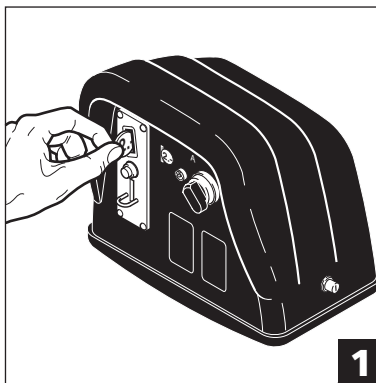
5. Close and lock control panel cover.
6. Open coin attachment.
7. Select self-service or manual mode on the selector (D) on the circuit board.
8. Set duration per coin at the selector switch (E) with a screw driver (adjustable from 30 sec up to 5 min).
9. Read off counter for coins (F) : display shows number of coins inserted.



| Mode | Setting | Note |
|---------------------------------|---|--|
| Manual mode | ON  HW | Manual mode is activated, while the switch SB is not set to position ON. The switch HW may be set to any position. |
| |  SB | |
| | or | |
| | ON  HW | |
| Self-service mode Cold water | ON  HW | |
| |  SB | |
| Self-service mode Hot water | ON  HW | |
| |  SB | |



4.3 Self-service mode

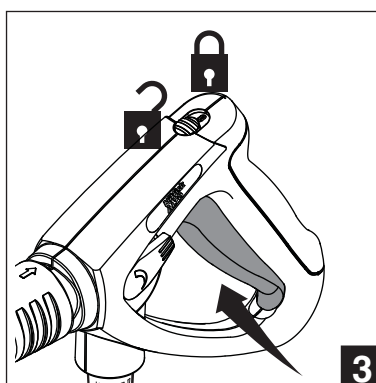


In self-service mode the cleaner is controlled via coin attachment.

1. Insert coin
The motor starts.

NOTE!

After inserting a coin, the time elapses continuously, irrespective whether the trigger is activated or released.

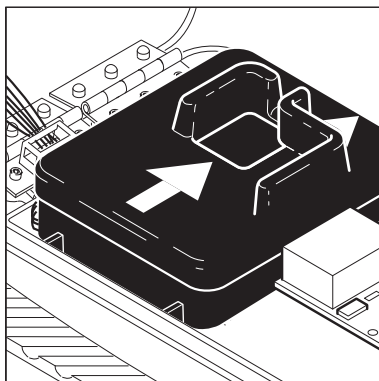


2. Select program:
 - A Shampoo
 - B Rinse

3. Activate the trigger and the machine will start automatically.

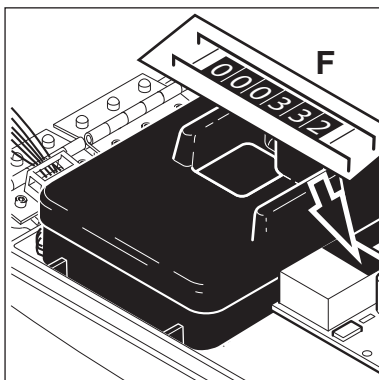


4.3.1 Daily tasks



1. Empty coin box.

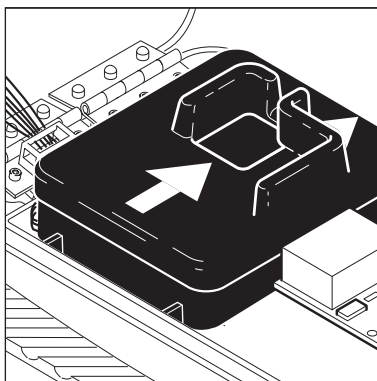
Check coin box for correct mounting position (see arrowhead mark).



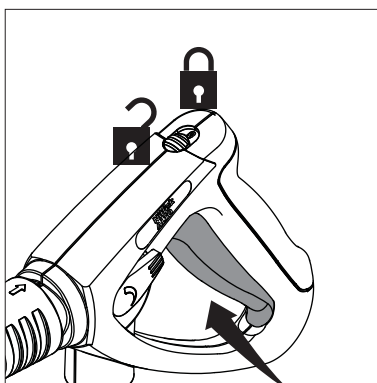
2. Read off counter for coins (F):
Display shows the number of coins inserted.
3. Check niveau of consumables:
 - detergent
 - fuel
 - anti-scale

Top up if necessary (daily or several times a day).

4.3.2 Switching off the cleaner



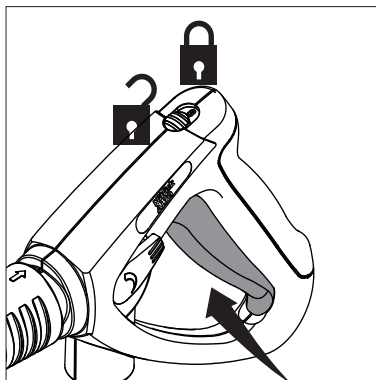
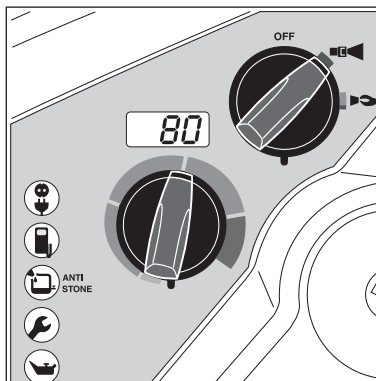
1. Empty coin box.
2. Open cover for control panel.
3. Turn the main switch to position "OFF".




4. Squeeze the spray gun trigger until the pressure has bled off.
5. Slide trigger lock to the locked position.
6. Turn off water supply at faucet.
7. Store the cleaner in a dry heated location to protect against freezing.

4.4 Manual mode

4.4.1 Cold water operation / Hot water operation (up to 100°C)



1. Turn the main switch to position  (cold water).




Control electronics accomplishes a self check.

The Display shows for approx. 1 second „---“.

The motor starts.

 is ON.

2. Turn the main switch to position  (hot water).

3. Select temperature.

4. Unlock the spray gun and squeeze trigger.

5. The oil burner will light.

6. Release trigger and lock the spray gun when not in use.

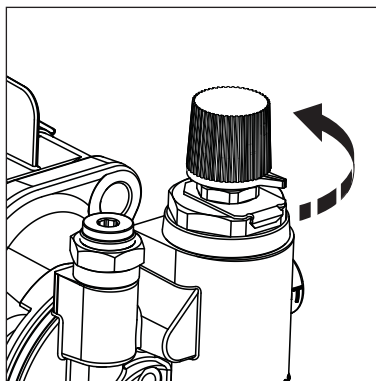
NOTE!


The cleaner switches off automatically twenty seconds after the spray gun has been closed. To start the cleaner again, squeeze the trigger and the machine will start automatically.

4.4.2 Steam operation (over 100°C (212°F))



Beware of hot water and steam discharge up to 150°C when operating in steam stage.

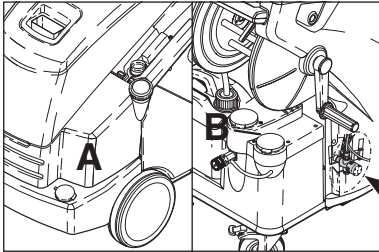


1. Open cabinet (and service door if desired - see chapter 3.6, Step 1+2).
2. Turn the twist grip on the safety control block all the way to the left (counter-clockwise-direction).
3. Turn the main switch to position .
4. Select temperature (over 100°C (212°F)).

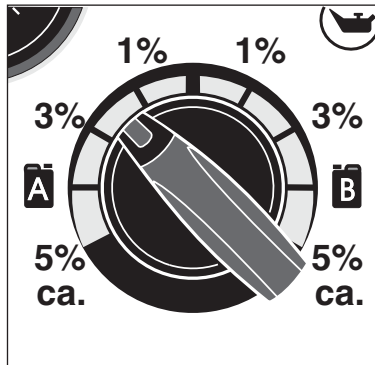
For special applications: replace the standard nozzle with the steam spray nozzle (accessory).

EN

4.5 Using cleaning agents



CAUTION!
Never allow cleaning agent to dry on the surface to be cleaned. The surface may be damaged.



The percentage shown in the illustration are only approximate data.

For special applications such as disinfection, the exact detergent concentration has to be determined by using a graduated measuring container. For water outlet volume of the machine see chapter 9.4 technical data.

1. Select desired detergent (A) or (B) and amount by turning the knob to desired percentage.
2. Spray the object to be cleaned.
3. Allow the cleaning agent to work, depending on the degree of soiling. Then rinse off with high pressure.

The use of cleaning agents while using the steam device will show a lower percentage and will result in a lower concentration.

5 Applications and methods

5.1 Techniques

Efficient high pressure cleaning is achieved by following a few guidelines, combined with your own personal experience of specific cleaning tasks. Accessories and detergents, when correctly chosen, can increase the efficiency of your pressure washer. Here is some basic information about cleaning.

5.1.1 Soaking

Encrusted or thick layers of dirt can be loosened or softened up by a period of soaking. This is for example an ideal method within agriculture – for example, within pig sties. The ideal soaking method can be achieved by using foam or simple alkaline detergent. Let the product lie on the dirty surfaces for about 30 minutes before pressure washing. The result will be a much quicker high pressure cleaning process.

5.1.2 Detergent and Foam

Foam or detergent should be applied onto dry surfaces so that the chemical product is in direct contact with the dirt. Detergents are applied from bottom to top, for example on a automobile bodywork, in order to avoid “super clean” areas, where the detergent may collect in higher concentrations and streams downwards. Let the detergent work for several minutes before rinsing before rinsing and never let it dry on the surface being cleaned.

5.1.3 Temperature

Detergents are more effective at higher temperatures. Greases, oils and fats can be broken down more effectively at higher temperatures also. Proteins can be cleaned at temperatures of around 60°C (140°F). Oils and traffic film around 70°C (158°F), and grease can be cleaned at 80°-90°C (176-194°F).

5.1.4 Mechanical Effect

In order to break down tough layers of dirt, additional mechanical effect may be required. Special lances and rotary or wash brushes offer this supplementary effect that cuts through dirt.

5.1.5 High Water Flow or High Pressure

High pressure is not always the best solution and may also damage surfaces. The cleaning effect also depends upon water flow. Pressure levels of around 100 bar (1450 psi) may be sufficient for vehicle cleaning (in association with hot water) and higher flow levels give the ability to rinse and flush away large amounts of dirt easily.



5.2 Some typical cleaning tasks

5.2.1 Agriculture

| Task | Accessories | Method |
|---|--|---|
| Stables Pig Pens, Sties Cleaning of walls, floors and equip- ment Disinfectant | Chemical Foam Injec- tors Foam lance Powerspeed lance Floor Cleaner Detergents Universal Alkafoam Disinfectant DES 3000 | <ol style="list-style-type: none"> 1. Soaking – apply foam to all surfaces (bottom to top) and wait for approx. 30 minutes. 2. Remove the dirt from surfaces with the high pressure lance or chosen accessory. Again, clean from bottom to top on vertical surfaces. 3. To flush away large quantities of dirt, change to low pressure mode and use the higher flow to push away the dirt. 4. Use recommended disinfectant products and methods to ensure hygiene. Apply DES 3000 disinfectant once the surfaces are perfectly clean. |
| Machinery Tractors ploughs etc. | Detergent injection Powerspeed lances Curved lances and un- derchassis washers Brushes | <ol style="list-style-type: none"> 1. Apply detergent to vehicle or equipment surfaces in order to soften up dirt and grime. Apply from bottom to top. 2. Proceed with cleaning using the high pressure lance. Clean again from bottom to top. Use accessories to clean in difficult to reach places. 3. Clean fragile areas such as motors, rubber at lower pressure levels to avoid damage. |

5.2.2 Vehicle

| Task | Accessories | Method |
|------------------|---|---|
| Vehicle bodywork | Standard lance Detergent injection Curved lances and un- derchassis washers brushes Detergents Active Shampoo Active Foam Sapphire Super Plus Aktive Wax Allosil RimTop | <ol style="list-style-type: none"> 1. Apply detergent to vehicle or equipment surfaces in order to soften up dirt and grime. Apply from bottom to top. In cases of particularly dirty vehicles, pre-spray with a product such as Allosil in order to remove traces of insects etc, then rinse at low pressure and apply normal car cleaning detergent. Let detergents settle for 5 minutes before cleaning off. Metallic surfaces can be cleaned using RimTop. 2. Proceed with cleaning using the high pressure lance. Clean again from bottom to top. Use accessories to clean in difficult to reach places. Use brushes in order to add a mechanical cleaning effect. Short lances can help for cleaning of motors and wheel arches. Curved lances or undercarriage washers can be valuable for the cleaning of car underchassis and wheel arches. 3. Clean fragile areas such as motors, rubber at lower pressure levels to avoid damage. 4. Apply a liquid wax using the pressure washer in order to protect the bodywork from pollution. |



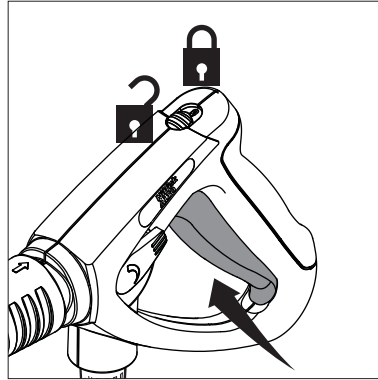
5.2.3 Buildings and Equipment

| Task | Accessories | Method |
|---|--|--|
| General surfaces Metallic equipment | Foam injectors Standard lance Curved lances Tank cleaning head Detergents Intensive J25 Multi Combi Active Alkafoam Disinfectant DES 3000 | <ol style="list-style-type: none"> 1. Apply thick foam over the surfaces to be cleaned. Apply on dry surfaces. Apply from top to bottom on vertical surfaces. Let the foam act for up to 30 minutes for the optimal effect. 2. Proceed with cleaning using the high pressure lance. Use applicable accessories. Use high pressure to dislodge large amounts of incrustated dirt or grime. Use lower pressure and high water volume in order to rapidly flush away loose dirt and rinse surfaces. 3. Apply DES 3000 disinfectant once the surfaces are perfectly clean. <p>Areas covered by amounts of loose dirt, such as animal remains in slaughterhouses, can be removed by using high water flow to flush away the dirt to evacuation pits or drains.</p> <p>Tank cleaning heads can be used to clean barrels, vats, mixing tanks etc. Cleaning heads may be hydraulically or electrically powered and give the possibility for automatic cleaning without a constant user.</p> |
| Rusted or damages surfaces prior to treatment | Wet Sandblasting equipment | <ol style="list-style-type: none"> 1. Connect the sandblasting lance to the pressure washer and place the suction tube in the sand. 2. Always wear protective equipment during sandblasting. 3. Spray the surfaces to be treated with the mix of water and sand. Rust, paint etc will be stripped off. |

These are merely several examples of cleaning tasks that can be solved by a pressure washer in association with accessories and detergents. Each cleaning task is different. Please consult your local dealer or Nilfisk-ALTO representative in order to discuss the best solution for your own cleaning tasks.

EN 6 After using the cleaner

6.1 Switching off the cleaner



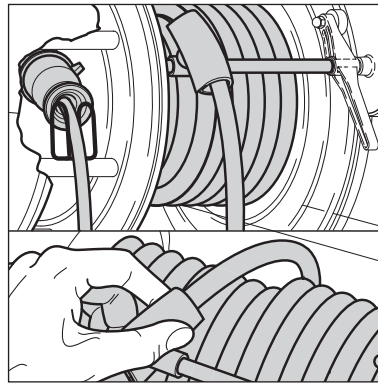
1. Turn the main switch to position „OFF“.
2. Turn off water supply at faucet.
3. Squeeze the spray gun trigger until the pressure has bled off.
4. Slide trigger lock to the locked position.

6.2 Disconnecting supply lines

1. Turn the main switch to position „OFF“.
2. Turn off water supply at faucet.
3. Squeeze the spray gun trigger until the pressure has bled off.

4. Slide trigger lock to the locked position.
5. Remove the water supply hose from the cleaner.
6. Remove power cord plug from the electrical supply.

6.3 Rolling up the electrical cord and storing accessories



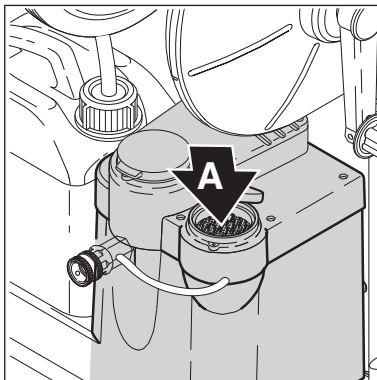
Risk of tripping!

To prevent accidents, always carefully roll up the power cord.


Machines with hose and/or cord reel:

1. Wind up the power cord as illustrated with the plug located in the center of the cord reel.
2. Wind up the high pressure hose as illustrated.
3. Place the spray lance into the spray lance storage.

6.4 Storing the cleaner (below 0°C (32°F))



Store the cleaner in a dry heated location to protect against freezing or protect per below instructions:

1. Remove the water supply hose from the cleaner.
2. Remove the spray lance.
3. Switch on the cleaner with the main switch in position .
4. Squeeze trigger of the spray gun.
5. Gradually pour antifreeze (approx. 5 litres) into the water tank (A).
6. While the pump is pulling the mixture from the water tank,

squeeze and release the trigger two or three times.

7. The machine is protected against freezing when antifreeze mixture emerges from the spray gun.
8. Lock the safety catch on the spray gun.
9. Switch off the cleaner.
10. To avoid any possible damage, store the cleaner temporarily in a heated room before using it again.
11. When the machine is put into service again, the antifreeze solution can be collected and stored for future use.

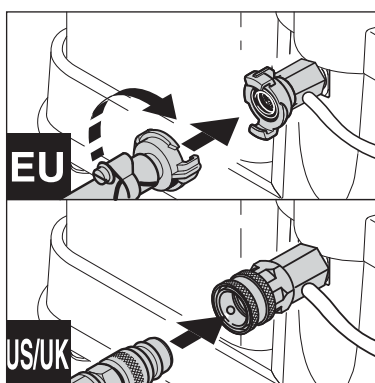
7 Maintenance

7.1 Maintenance Schedule

| | Weekly | After the first 50 operating hours | Every six months or 500 operating hours | As required |
|-------------------------------------|--------|------------------------------------|---|-------------|
| 7.2.1 Water filters | | | | ● |
| 7.2.2 Oil filter | | | | ● |
| 7.2.3 Checking the pump oil quality | ● | | | |
| 7.2.4 Changing the pump oil | | ● | ● | |
| 7.2.5 Emptying the fuel oil tank | | | | ● |
| 7.2.6 Flame Sensor | | | | ● |

7.2 Maintenance work

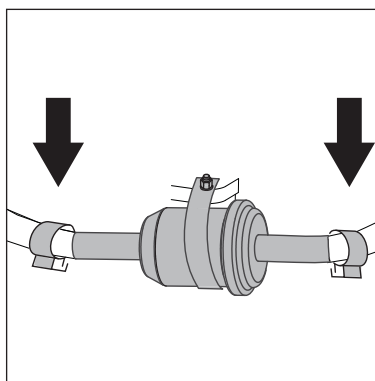
7.2.1 Water filters



Water filters are fitted at the water and pump inlets to prevent large particles of dirt from entering into the system.

1. Unscrew quick coupling.
2. Remove filter with tool and clean it.

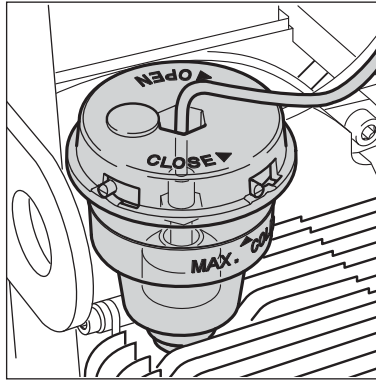
7.2.2 Maintenance of fuel filter



1. Open hose clips
2. Replace fuel filter
3. Close hose clips
4. Dispose the cleaning solution/damaged filter in accordance with the disposal regulations.

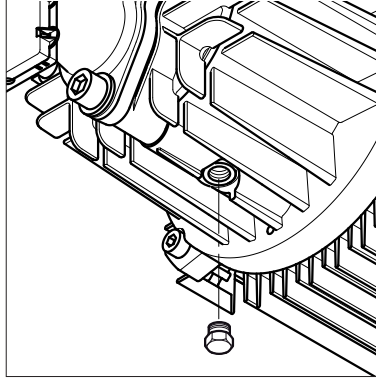


7.2.3 Checking the pump oil quality



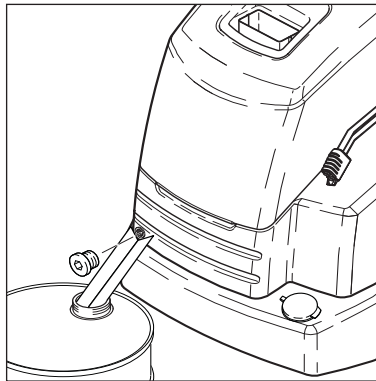
1. Check color of pump oil.
If the oil has a grey or white shade, change the oil (see chapter 7.2.4)
2. Top off oil level with fresh oil if necessary.
Oil type see chapter 9.4 Technical Data.

7.2.4 Changing the pump oil



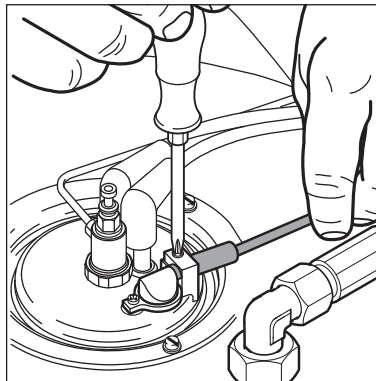
1. Unscrew the oil drain plug and drain oil into a suitable container.
2. Check that the drain plug gasket is in place and reinstall drain plug.
3. Fill pump with proper grade and amount of oil.
Oil grade and capacity see chapter '9.4 Technical Data'.

7.2.5 Emptying the fuel oil tank



1. Prepare a container which is capable of containing the amount of fuel remaining in the tank.
2. Place drain channel beneath the drain plug.
3. Remove the drain plug and drain the fuel into the prepared container carefully not to spill fuel oil.
4. Check that the drain plug gasket is in place and reinstall drain plug.
5. Check tank and plug for leaks.











7.2.6 Flame sensor



1. Remove the sensor and clean with a soft cloth.
2. Confirm that the sensor is correctly seated when reinstalling.









8 Troubleshooting

8.1 Indications on Display



| Indication on Display | Cause | Remedy |
|--|--|---|
| FLF | > Flow sensor fault |  Contact Nilfisk-ALTO Service Cold water operation possible |
| FLO | > Water supply turned off or inadequate supply to machine > Detergent tank empty > Pressure regulation on the safety control block set to low water volume > Machine scaled | <ul style="list-style-type: none"> Required volume flow and pressure see chapter 9.4 Technical Data Fill detergent tank or set detergent metering to „OFF“ Turn the twist grip on safety control block to higher water pressure/volume  Contact Nilfisk-ALTO Service |
| FUE  | > Fuel shortage | <ul style="list-style-type: none"> Fill fuel tank Cold water operation possible |
| HOP | > Motor overheated | <ul style="list-style-type: none"> Turn main switch in position „OFF“, let machine cool down Remove extension cord, if being used. Possible phase failure; have electrical connections checked |
| HOS | > Machine overheated |  Contact Nilfisk-ALTO Service |
| LEA | > Leakage or inadmissible operating condition by short-time operation > Spray gun leaking > High pressure hose, coupling or line system leaking > Detergent tank empty > Water inlet filter dirty > High-pressure pump drawing in air | <ul style="list-style-type: none"> After three times of short-time operation the machine switches off. To reset: Turn main switch to position „OFF“, then start again. Keep trigger squeezed for longer than 3 seconds. If a leak occurs in the hose and gun and causes the machine to start and stop briefly 3 times, then the machine will switch off. Repair Spray gun Replace high-pressure hose, retighten screw fittings Fill detergent tank or set detergent metering to „OFF“ Clean filter (see chapter 7.2.1) Repair leaks |
| LHE | > Flame sensor sooted > Ignition or fuel system failure | <ul style="list-style-type: none"> Clean flame sensor (see chapter 7.2.6).  Contact Nilfisk-ALTO Service Cold water operation possible |
| LHL | > Burner failure |  Contact Nilfisk-ALTO Service Cold water operation possible |
| POL  | > Pump oil low | <ul style="list-style-type: none"> Fill to proper level (see chapter 7.2.3) |
| SEC | > Temperature sensor damaged |  Contact Nilfisk-ALTO Service Cold water operation possible |
| SEO | > Temperature sensor damaged |  Contact Nilfisk-ALTO Service Cold water operation possible |
| UPC | > Microprocessor failure |  Contact Nilfisk-ALTO Service |



8.2 Indication lights on control panel

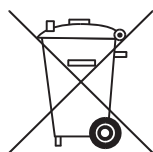
| Indication light | Cause | Remedy |
|--|---|--|
|  flashing | > see <i>FLO</i> | • see <i>FLO</i> |
|  ON | > Low fuel level | • Fill fuel tank • Cold water operation possible |
|  ANTI STONE | > Low Nilfisk-ALTO AntiStone (Anti-Scale) level | • Fill Nilfisk-ALTO AntiStone (Anti-Scale) tank |
|  flashing | > Service interval: Service due in 20 hours |  Contact Nilfisk-ALTO Service |
|  ON | > Service interval expired |  Contact Nilfisk-ALTO Service |
|  ON | > Pump oil low | • Fill to proper level |

8.3 Other Faults

| Fault | Cause | Remedy |
|--|--|--|
|  not ON | > Power cord not properly connected to power supply | • Check power cord connection • Check fuse (see chapter 9.4 Technical Data) |
| Pressure too low | > High pressure nozzle worn out > Pressure regulation set to low pressure | • Replace nozzle • Turn the twist grip on safety control block clockwise (+) |
| Machine is running with pulsating pressure and makes knocking noise | > Pump has drawn in air due to detergent tank being empty | • Close detergent valve. Remove lance from gun. Operate spray gun and let machine run until air in pump is gone and the machine is running normally/ calm again. |
| No detergents drawn in | > Detergent tank empty > Dirt in detergent tank > Suction valve at cleaning agent inlet soiled | • Fill detergent tank • Clean detergent tank • Remove suction valve and clean or replace |
| Burner soots | > fuel contamination > Burner sooted or adjustment incorrect |  Contact Nilfisk-ALTO Service |

9 Further information

9.1 Recycling the cleaner



Make the old cleaner unusable immediately.

1. Unplug the cleaner and cut the power cord.

Do not discard of electrical appliances with household waste.

As specified in European Directive 2002/96/EC on old electrical

and electronic appliances, used electrical goods must be collected separately and recycled ecologically.

Contact your local authorities or your nearest dealer for further information.

9.2 Guarantee

Our general conditions of business are applicable with regard to the guarantee. Subject to change as a result of technical advances.

The guarantee is invalidated if the machine is not operated in accordance with these instructions or otherwise abused. The guarantee is invalidated if the machine is not serviced as described.

US only:

This warranty is in effect from the first day of purchase by the end user.

Each machine will have one (1) year coverage, from date of purchase by the end user, covering parts found defective due to faulty components, materials and/or bad workmanship. Not included in this warranty coverage are parts found defective due to:

- Normal wear and tear (such as seals, valves, pistons, bearings, etc.)
- Machine working under abnormal conditions.
- Machines being misused.

- Machines being repaired or tampered with by unauthorized person(s).

- The use of parts other than Nilfisk-ALTO Cleaning Systems, Inc. original spare parts and/or accessories.

The burner coil on all Nilfisk-ALTO Cleaning Systems, Inc. hot water/steam cleaners is under warranty for five (5) years against defects, and the high pressure hose is covered for an initial 30 days, under the same conditions described above.

Nilfisk-ALTO Cleaning Systems, Inc. will cover labor by an authorized Nilfisk-ALTO CSI Dealer for a 12-month period after the date of purchase of the machine by the end user.

No other costs, other than laid out in this warranty program, will be covered by the warranty.

Dated, End-User proof of purchase must be submitted with any claim for Warranty Service.



9.3 EU Declaration of Conformity

| EU Declaration of Conformity | |
|---|--|
| Product: | High Pressure Cleaner |
| Type: | NEPTUNE 5 |
| Description: | 400 V 3~ 50 Hz IPX5 400/230 V 3~ 50Hz IPX5 230-240 V 1~ 50Hz IPX5 |
| The design of the unit corresponds to the following pertinent regulations: | EC Machine Directive 2006/42/EC EC Low-voltage Directive 2006/95/EC EC EMC Directive 2004/108/EC |
| Applied harmonised standards: | EN ISO 12100-1, EN ISO 12100-2, EN 60335-2-79 EN 55014-1, EN 55014-2, EN 61000-3-2 |
| Applied national standards and technical specifications: | DIN EN 60335-2-79 |
| Dipl. Ing. Wolfgang Nieuwkamp Tests and approvals | Nilfisk-Advance A/S Industrivej 1 DK-9560 Hadsund Hadsund, 01.06.2009 |

Inhalt

| | | |
|--|---|----|
| Kennzeichnung von Hinweisen | | 24 |
| 1 Wichtige Sicherheitshinweise | | 24 |
| 2 Beschreibung | 2.1 Verwendungszweck..... | 26 |
| | 2.2 Bedienelemente | 27 |
| 3 Vor der Inbetriebnahme | 3.1 Transport/Aufstellung..... | 27 |
| | 3.2 Bremse einlegen | 27 |
| | 3.3 Kurbel für Schlauchtrommel und Kabeltrommel montieren | 28 |
| | 3.4 Reinigungsmittel tanks füllen..... | 28 |
| | 3.5 Vorratsbehälter für Nilfisk-Alto AntiStone füllen..... | 28 |
| | 3.6 Antiscale..... | 28 |
| | 3.7 Einstellen der Nilfisk-Alto AntiStone Automatik | 29 |
| | 3.8 Hochdruckschlauch anschließen | 29 |
| | 3.9 Wasserschlauch anschließen..... | 29 |
| | 3.10 Elektrischer Anschluss | 30 |
| | 3.11 Frostschutzmittel auffangen | 30 |
| 4 Bedienung / Betrieb | 4.1 Anschlüsse..... | 30 |
| | 4.2 SB-Betrieb/manuellen Betrieb einstellen..... | 31 |
| | 4.3 SB-Betrieb..... | 32 |
| | 4.4 Gerät einschalten | 33 |
| | 4.5 Verwendung von Reinigungsmitteln | 34 |
| 5 Anwendungsgebiete und Arbeitsmethoden | 5.1 Arbeitstechniken..... | 35 |
| | 5.2 Typische Anwendungen | 36 |
| 6 Nach der Arbeit | 6.1 Gerät ausschalten | 38 |
| | 6.2 Versorgungsleitungen trennen | 38 |
| | 6.3 Aufrollen von Anschlussleitung und Hochdruckschlauch und Verstauen von Zubehör | 38 |
| | 6.4 Aufbewahrung (frostsichere Lagerung) | 38 |
| 7 Wartung | 7.1 Wartungsplan | 39 |
| | 7.2 Wartungsarbeiten | 39 |
| 8 Behebung von Störungen | 8.1 Anzeigen am Display..... | 41 |
| | 8.2 Anzeigen am Bedienfeld..... | 42 |
| | 8.3 Weitere Störungen | 42 |
| 9 Sonstiges | 9.1 Gerät der Wiederverwertung zuführen | 42 |
| | 9.2 Garantie..... | 43 |
| | 9.3 EG-Konformitätserklärung..... | 43 |
| | 9.4 Technische Daten..... | 44 |

DE

Kennzeichnung von Hinweisen



Sicherheitshinweise, die bei Nichtbeachtung Gefährdungen für Personen hervorrufen können, sind mit diesem Gefahrensymbol besonders gekennzeichnet.



Hier stehen Ratschläge oder Hinweise, die das Arbeiten erleichtern und für einen sicheren Betrieb sorgen.



Bevor Sie den Hochdruckreiniger in Betrieb nehmen, lesen Sie unbedingt die Betriebsanleitung durch und bewahren Sie diese griffbereit auf.



Dieses Symbol finden Sie bei Sicherheitshinweisen, deren Nichtbeachtung Gefahren für das Gerät und dessen Funktion hervorrufen kann.



Arbeiten, die mit diesem Kennzeichen versehen sind, dürfen nur vom Nilfisk-ALTO-Service ausgeführt werden.

1 Wichtige Sicherheitshinweise



Zu Ihrer eigenen Sicherheit

Der Hochdruckreiniger darf nur von Personen benutzt werden, die in der Handhabung unterwiesen und ausdrücklich mit der Bedienung beauftragt sind.

Trotz der einfachen Handhabung ist das Gerät nicht für Kinderhände geeignet.

Das Gerät darf

- nur von Personen benutzt werden, die in der Handhabung unterwiesen und ausdrücklich mit der Bedienung beauftragt sind
- nur unter Aufsicht betrieben werden
- nicht von Kindern benutzt werden
- darf nicht von körperlich oder geistig Behinderten verwendet werden

Warnung

Stellen Sie sicher, dass die Abgasöffnungen sich nicht in der Nähe von Lufteinlässen befinden.

Für diese Maschine dürfen nur Reinigungsmittel verwendet

werden, die von Nilfisk-ALTO empfohlen werden oder mit dieser Maschine geliefert wurden. Die Verwendung anderer Reinigungsmittel kann die Sicherheit bei der Verwendung der Maschine beeinträchtigen.

Allgemeines

Das Betreiben des Hochdruckreinigers unterliegt den geltenden nationalen Bestimmungen.

Neben der Betriebsanleitung und den im Verwenderland geltenden verbindlichen Regelungen zur Unfallverhütung sind auch die anerkannten fachtechnischen Regeln für sicherheits- und fachgerechtes Arbeiten zu beachten.

Jede sicherheitsbedenkliche Arbeitsweise ist zu unterlassen.

Den Auslöser nicht festbinden.

Transport

Das Gerät ist durch seine großen Räder leicht zu transportieren. Zum sicheren Transport in und auf Fahrzeugen empfehlen wir, das Gerät rutsch- und kippstabil mit Bändern zu fixieren und die Bremse einzulegen.

Wenn Gerät und Zubehör bei

Temperaturen um oder unter 0°C transportiert werden, empfehlen wir die Verwendung von Frostschutzmitteln wie in Kapitel 6 beschrieben.

Vor der Inbetriebnahme

Falls Ihr Dreiphasengerät ohne Stecker ausgeliefert wurde, so lassen Sie es von einer Elektrofachkraft mit einem geeigneten Dreiphasenstecker mit Schutzleiterkontakt ausrüsten.

Vor Inbetriebnahme Hochdruckreiniger auf vorschriftsmäßigen Zustand überprüfen.

Netzanschlussleitung regelmäßig auf Beschädigung bzw. Alterungserscheinungen prüfen.

Nur Hochdruckreiniger mit einwandfreier Netzanschlussleitung in Betrieb nehmen (bei Beschädigung Stromschlaggefahr!).

Überprüfen Sie die Nennspannung des Hochdruckreinigers, bevor Sie diesen ans Netz anschließen. Überzeugen Sie sich davon, dass die auf dem Typenschild angegebene Spannung mit der örtlichen Netzspannung übereinstimmt.

Schließen Sie die Stromversorgung für den Hochdruckreiniger an eine Installation mit Fehlerstromschutzschalter an. Dieser

unterbricht die Stromversorgung entweder wenn der Ableitstrom gegen Erde 30 mA für 30 ms überschreitet, oder er enthält einen Erdungsprüfstromkreis.

Beachten Sie die für Sie geltenden gesetzlichen Vorschriften und Bestimmungen. Vor jeder Inbetriebnahme sind die wesentlichen Teile des Hochdruckreinigers durch Inaugenscheinnahme zu überprüfen.

VORSICHT!

Der Hochdruckstrahl kann gefährlich sein, wenn er missbraucht wird. Der Strahl darf nicht auf Personen, Tiere, unter Spannung stehende Anlagen, oder auf das Gerät selbst gerichtet werden. Schutzkleidung und Schutzbrille tragen.

Den Strahl nicht auf sich selbst oder andere Personen richten, um Kleidung oder Schuhe zu reinigen.

Beim Betrieb des Gerätes treten an der Spritzeinrichtung Rückstoßkräfte auf, bei abgewinkeltem Sprührohr zusätzlich ein Drehmoment, daher Spritzeinrichtung fest in beiden Händen halten.

Gerät nicht verwenden, wenn Personen ohne Schutzkleidung auf der Arbeitsfläche sind.

Das zu reinigende Objekt ist zu prüfen, ob beim Reinigen von diesem gefährliche Stoffe gelöst und an die Umwelt abgegeben werden, z.B. Asbest, Öl.

Empfindliche Teile aus Gummi, Stoff o.ä. nicht mit dem Rundstrahl reinigen. Beim Reinigen auf genügend Abstand zwischen Hochdruckdüse und Oberfläche achten um eine Beschädigung der zu reinigenden Oberfläche zu vermeiden.

Hochdruckschlauch nicht als Zugseil verwenden!

Maximaler zulässiger Arbeits-

druck und Temperatur sind auf dem Hochdruckschlauch aufgedruckt.

Gerät nicht weiter betreiben, wenn die Anschlussleitung oder der Hochdruckschlauch beschädigt sind.

Auf genügende Luftzirkulation achten. Gerät nicht abdecken oder in unzureichend belüfteten Räumen betreiben!



Gerät frostfrei lagern oder verwenden Sie ein Frostschutzmittel!

Gerät nie ohne Wasser in Betrieb nehmen. Auch kurzzeitiger Wassermangel führt zu schwerer Beschädigung der Pumpenmanschetten.

Wasseranschluss



Dieser Hochdruckreiniger darf nur an einen Trinkwasseranschluss ange-

geschlossen werden, wenn eine entsprechende Rückstausicherung des Typs BA gemäß EN 1717 installiert ist. Wenn die Rückstausicherung nicht mitgeliefert wurde, können Sie diese bei Ihrem Händler bestellen. Die Länge des Schlauchs zwischen der Rückstausicherung und dem Hochdruckreiniger muss mindestens 12 Meter betragen (und einen Durchmesser von mindestens 3/4“ haben), um mögliche Druckspitzen auszugleichen. Der Saugbetrieb (z. B. aus einem Regenwasserbehälter) erfolgt ohne Rückstausicherung. Fragen Sie Ihren Händler nach Empfehlungen für den Saug-

Sobald das Wasser das Dosierventil durchflossen hat, ist es kein Trinkwasser mehr.

Betrieb

Während des Betriebs alle Abdeckungen und Türen der Maschine geschlossen halten.

VORSICHT!

Ungeeignete Verlängerungsleitungen können gefährlich sein. Kabeltrommeln immer ganz abwickeln, um Brandgefahr durch Überhitzung zu vermeiden.

Stecker und Kupplungen von Verlängerungsleitungen müssen wasserdicht sein.

Bei Verwendung einer Verlängerungsleitung auf die Mindestquerschnitte der Leitung achten:

| Leitungslänge m | Querschnitt | |
|--------------------|---------------------|---------------------|
| | <16 A | <25 A |
| bis 20 m | ø1.5mm ² | ø2.5mm ² |
| 20 bis 50 m | ø2.5mm ² | ø4.0mm ² |

Netzanschlussleitung nicht beschädigen (z. B. durch Überfahren, Zerren, Quetschen).

Netzanschlussleitung nur direkt am Stecker ausziehen (nicht durch Ziehen, Zerren an der Anschlussleitung).

VORSICHT!

Ungeeignete Brennstoffe (z.B. Benzin) dürfen nicht verwendet werden, da sie eine Gefahr darstellen können.

Das Gerät an Tankstellen oder anderen Gefahrenbereichen wegen der möglichen vom Brenner ausgehenden Explosionsgefahr nur außerhalb der festgelegten Gefahrenbereiche einsetzen (In Deutschland: TRbF -Technische Richtlinien für brennbare Flüssigkeiten beachten).

Beim Aufstellen in Räumen sind für die Abgasführung ins Freie die örtlichen Bauvorschriften zu beachten. Für ausreichende Frischluft-Zufuhr sorgen.

Bei Anschluss des Gerätes an eine Kaminanlage die Landesbauordnung beachten. Vorschläge über Anschluss-Systeme stellen wir gerne zur Verfügung.

VORSICHT!

Die Abgasöffnung nicht berühren und nicht abdecken. Verletzungs- und Brandgefahr.



¹⁾ Sonderzubehör / Modellvarianten

DE

VORSICHT!

Vorsicht wenn in der Phase des Abdampfens heißes Wasser und Dampf mit bis zu 150°C austritt.

VORSICHT!

Die Abgasöffnung nicht berühren und nicht abdecken. Verletzungs- und Brandgefahr.

Den Kamin nicht berühren, abdecken oder Schlauch bzw. Schnur über ihn legen. Gefahr für Personen, Risiko von Überhitzung und Feuer.

Elektrik**VORSICHT!**

Elektrogeräte niemals mit Wasser abspritzen: Gefahr für Personen, Kurzschlussgefahr.

Das Gerät darf nur an einer vorschriftsmäßigen Installation angeschlossen werden.

Einschaltvorgänge erzeugen kurzzeitige Spannungsabsenkungen.

Bei Netzimpedanzen (Hausanschluss) kleiner als $0,15\Omega$ sind keine Störungen zu erwarten. Im Zweifel kontaktieren Sie Ihr Stromversorgungsunternehmen.

Wartung und Reparatur**ACHTUNG!**

Vor dem Reinigen und Warten des Gerätes ist grundsätzlich der Netzstecker zu ziehen.

Nur Wartungsarbeiten ausführen, die in der Betriebsanleitung beschrieben sind. Ausschließlich Original-Ersatzteile verwenden. Keine technischen Änderungen am Hochdruckreiniger vornehmen.

VORSICHT!

Hochdruckschläuche, Fittings und Kupplungen sind wichtig für die Sicherheit des Gerätes. Nur vom Hersteller zugelassene Hochdruckteile verwenden!

Die Netzanschlussleitung darf nicht von der vom Hersteller angegebenen Ausführung abweichen und nur von einer Elektrofachkraft gewechselt werden. Für weitergehende Wartungs- bzw. Reparaturarbeiten wenden Sie sich bitte an den Nilfisk-Alto-Service oder eine autorisierte Fachwerkstätte!

Prüfung

Der Hochdruckreiniger entspricht den deutschen »Richtlinien für Flüssigkeitsstrahler«. Der Hochdruckreiniger ist nach der »UVV-Arbeiten mit Flüssigkeitsstrahlern (BGV D15)« bei Bedarf, jedoch mindestens alle 12 Monate durch

Sachkundige auf Betriebssicherheit zu prüfen.

An elektrischen Geräten muss nach jeder Instandsetzung oder Änderung der Schutzleiterwiderstand, der Isolationswiderstand und der Ableitstrom gemessen werden. Außerdem ist eine Sichtprüfung der Anschlussleitung, eine Spannungs- und Strommessung und eine Funktionsprüfung durchzuführen. Als Sachkundige stehen Ihnen unsere Kundendienst-Techniker zur Verfügung.

Die vollständigen UVV 'Arbeiten mit Flüssigkeitsstrahlern' sind zu beziehen beim Carl Heymanns-Verlag KG, Luxemburger Straße 449, 50939 Köln oder bei der zuständigen Berufsgenossenschaft.

Die druckführenden Teile dieses Hochdruckreinigers sind gemäß §9 der Druckbehälterverordnung ordnungsgemäß hergestellt und mit Erfolg einer Druckprüfung unterzogen.

Überbrückungsventil

Der Pumpendruck wird mittels eines "Überbrückungsventils" reduziert, indem bei niedrigem Druck Wasser auf die Zuflussseite der Pumpe zurück geführt wird. Die Einstellung, bei der dies geschieht, ist ab Werk voreingestellt und gesiegtelt und darf nicht verändert werden.

2 Beschreibung

2.1 Verwendungszweck

Dieser Hochdruckreiniger wurde für eine professionelle Verwendung entworfen. Er kann zum Reinigen von landwirtschaftlichen Maschinen, Konstruktionsmaschinen, Ställen, Fahrzeugen, rostigen Flächen und Ähnlichem verwendet werden.

Das Gerät ist nicht für die Reinigung von Flächen, die mit Lebensmitteln in Kontakt kommen, zugelassen.

In Kapitel 5 wird die Verwendung des Hochdruckreinigers für unterschiedliche Aufgaben beschrieben.

Verwenden Sie das Gerät nur gemäß den in dieser Anleitung enthaltenen Anweisungen. Jegliche anderweitige Verwendung kann das Gerät oder die zu reinigende Oberfläche beschädigen und zu schweren Verletzungen führen.

2.2 Bedienelemente



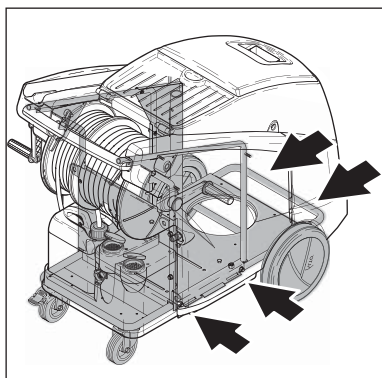
Abbildung siehe Ausklappseite vorne in dieser Betriebsanleitung.

- | | | |
|--|---|---|
| <ol style="list-style-type: none"> 1. Spritzpistole 2. Zylinderschloss 3. Bedienfeld-Abdeckung 4. Füllstandsanzeige Brennstofftank 5. Einfüllstutzen für Brennstoff 6. Befestigung für Kranaufhängung¹⁾ | <ol style="list-style-type: none"> 7. Verriegelung der Abdeckung 8. Türverriegelung 9. Hochdruckschlauch-Anschluss 10. Hauptschalter Kaltwasser/Heißwasser 11. Display (Temperatur/Codes) 12. Temperaturregler 13. Brennstoff nachfüllen 14. Nilfisk-Alto AntiStone nachfüllen 15. Wartung durch Nilfisk-Alto-Service fällig 16. Pumpenöl nachfüllen 17. Reinigungsmittel-Dosierung 18. Manometer | <ol style="list-style-type: none"> 19. Bereitschaftsanzeige 20. Lenkrolle mit Bremse 21. Wasseranschluss 22. Einfüllstutzen für Frostschutzmittel 23. Einfüllstutzen für Nilfisk-Alto AntiStone 24. Behälter für Reinigungsmittel B¹⁾ 25. Einfüllstutzen für Reinigungsmittel A 26. Griff zum Öffnen der Abdeckung 27. Zylinderschloss 28. Wahlschalter für Shampoo / Klarwäsche 29. Kontroll-Leuchte für Reinigungsmittel-Mangel 30. Münzeinwurf mit Münzprüfer |
|--|---|---|



3 Vor der Inbetriebnahme

3.1 Transport/Aufstellung



1. Die sicherste Art und Weise, die Maschine zu heben ist die Verwendung eines Gabelstaplers. Die Pfeile kennzeichnen die günstigsten Einfahrtspunkte für die Gabel.
2. Es ist auch möglich, die Ma-

schine von Hand von der Palette zu heben. Aufgrund des Gewichts sollte diese Arbeit von mindestens drei Personen durchgeführt werden.

ACHTUNG! Die Maschine nicht an den Kunststofftanks anheben, da sich diese vom Rahmen lösen können.

Die besten Haltepunkte sind
 - am Handgriff
 - am Rahmen zwischen den Fronträdern und den Lenkrollen.

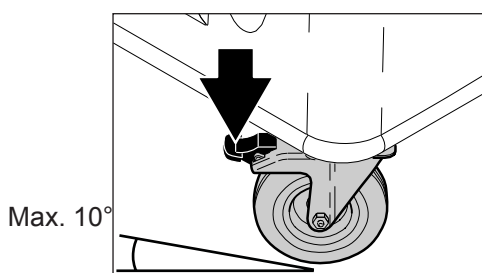
Jeder Ölbrenner benötigt für den störungsfreien Betrieb die exakt abgestimmte Mischung von Verbrennungsluft und Brennstoff. Luftdruck und Sauerstoffgehalt

sind abhängig vom Einsatzort und je nach Höhenlage unterschiedlich. Dies ist unabhängig vom verwendeten Brennstoff.

Der Hochdruckreiniger wurde im Werk sorgfältig getestet und eingestellt um die größtmögliche Leistung zu erzielen. Das Werk liegt ca. 120 m (390 ft) über dem Meeresspiegel und die Einstellung des Ölbrenners ist optimal für diese Höhenlage.

Wenn der Einsatzort des Gerätes mehr als 1200 m (3900 ft) über dem Meeresspiegel liegt, muss der Ölbrenner für einwandfreien Betrieb und Wirtschaftlichkeit darauf abgestimmt werden. Wenden Sie sich dazu bitte an Ihren Händler oder den Nilfisk-Alto-Service.

3.2 Bremse einlegen

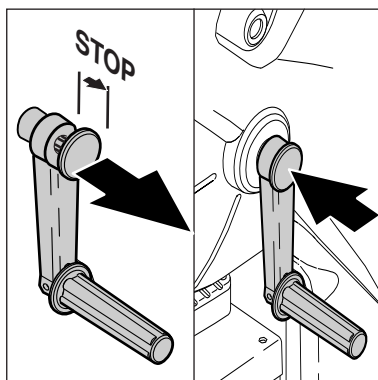


1. Vor der ersten Inbetriebnahme das Gerät sorgfältig auf Mängel oder Schäden überprüfen und festgestellte Schäden sofort an Ihren Nilfisk-Alto-Händler melden.
2. Gerät nur in einwandfreiem Zustand in Betrieb nehmen.
3. Bremse einlegen.
1. Der Aufstellungsort des Hochdruckreinigers darf in keine Richtung eine Neigung von über 10° aufweisen.

¹⁾ Sonderzubehör / Modellvarianten

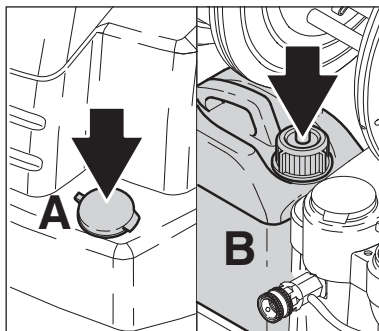
DE

3.3 Kurbel für Schlauchtrommel und Kabeltrommel montieren



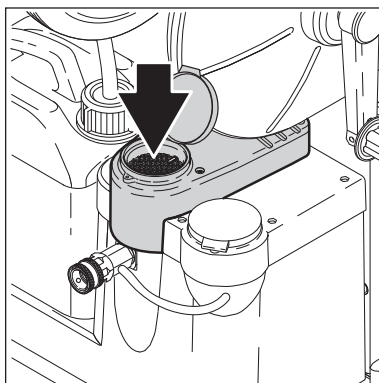
1. Rastkappe der Kurbel in Pfeilrichtung ziehen.
2. Rastnasen der Kurbel an den Aussparungen in der Achse der Schlauch-/Kabeltrommel ausrichten.
3. Kurbel auf die Achse stecken.
4. Kurbel durch Drücken der Rastkappe arretieren.

3.4 Reinigungsmittel tanks füllen



1. Reinigungsmittel tanks (A) und (B) mit Nilfisk-Alto-Reinigungsmittel füllen. Füllmenge siehe Kapitel 9.4 Technische Daten.

3.5 Vorratsbehälter für Nilfisk-Alto AntiStone füllen



1. Zum Füllen die beigelegte Flasche benutzen.

Das Kalkschutzkonzentrat »Nilfisk-Alto Anti-Stone« verhindert ein Anlagern der Härtebildner und wirkt gleichzeitig als Korrosionsschutz.

Verwenden Sie aus Gründen der Verträglichkeit nur das gepuffte »Nilfisk-Alto Anti-Stone«. Bestellen Sie rechtzeitig den Vorratspack (Bestell-Nr. 8466, 6 x 1 l).

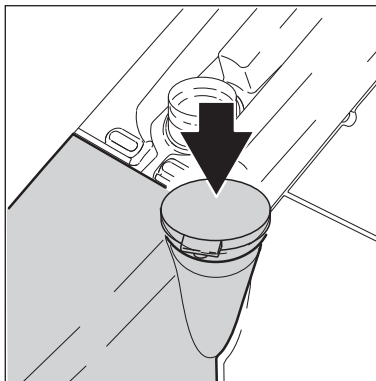
3.6 Antiscale

Das Nilfisk Alto Antiscale Dosiersystem ist werksseitig eingestellt. Um die Wasserhärte einzustellen, empfehlen wir, die Härte des verwendeten Wasser entsprechend zu messen.

Die Tabelle benutzen, um die richtige Dosierung von No Scale/ AntiStone und Wasser herauszufinden und setzen Sie die Mischung dem Tank zu.

| Durchfluss l/h | Pumpengröße ml/h | °dH | °f | °e | Dosierung |
|----------------|------------------|-------|-------------|-----------|---------------|
| 700 | 35 | 0-12 | 0-21,5 | 0 - 15 | 1:1 = 17ml/h |
| 700 | 35 | 12-30 | 21,5 - 53,7 | 15 - 37,5 | Pure = 35ml/h |
| 800 | 35 | 0-12 | 0-21,5 | 0 - 15 | 1:1 = 17ml/h |
| 800 | 35 | 12-30 | 21,5 - 53,7 | 15 - 37,5 | Pure = 35ml/h |

3.6 Brennstofftank füllen



HINWEIS!

Bei Temperaturen unter 8°C beginnt das Heizöl zu stocken (Paraffinausscheidung). Dadurch kann es zu Startschwierigkeiten des Brenners kommen. Deshalb

Bei kaltem Gerät:

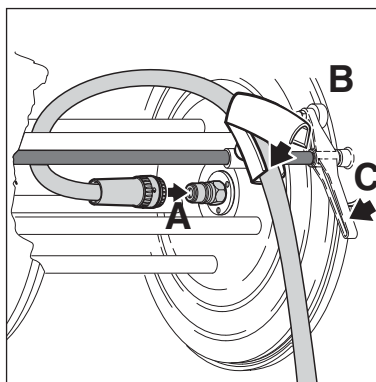
1. Brennstoff (Heizöl EL, oder Dieselöl DIN 51 603) in den Brennstofftank füllen. Bio-Diesel kann verwendet werden (Beachten sie die Hinweise in Kapitel 1). Der Brennstoff muss frei von Verunreinigungen sein.
– Füllmenge siehe 9.4 Technische Daten.

DE

vor der Winterperiode dem Heizöl Stockpunkt- und Fließverbesserer (im Heizöl-Fachhandel erhältlich) beimischen oder 'Winter-Dieselöl' verwenden.

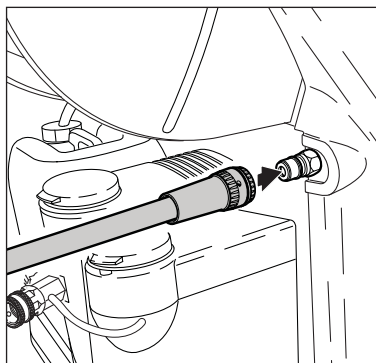
3.7 Hochdruckschlauch anschließen

3.7.1 Geräte mit Schlauchtrommel



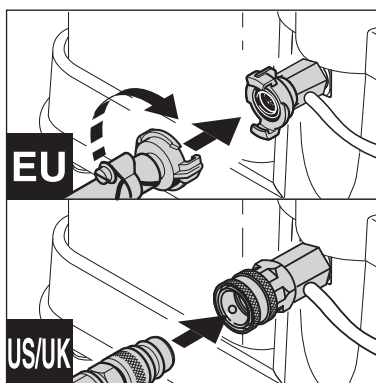
1. Anschlusskupplung (A) des Hochdruckschlauchs auf den Nippel in der Achsenmitte stecken.
2. Schlauch in Schlauchführung (B) einlegen und Oberschale aufclipsen.
3. Bremse (C) an der Schlauchtrommel lösen und Hochdruckschlauch aufwickeln.

3.7.2 Geräte ohne Schlauchtrommel



1. Hochdruckschlauch mit Schnellkupplung am Hochdruckanschluss des Gerätes anschließen.

3.8 Wasserschlauch anschließen



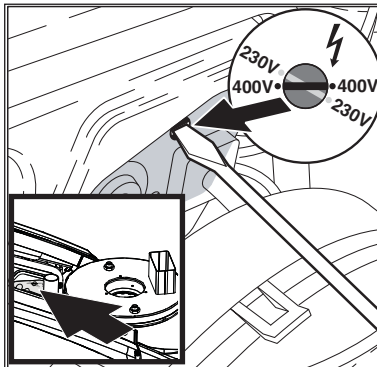
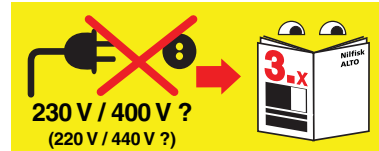
1. Beigelegte Schlauchtülle an den Wasserschlauch montieren.
2. Den Wasserschlauch vor dem Anschluss an das Gerät kurz mit Wasser spülen, damit Sand und andere Schmutzteilchen nicht in das Gerät gelangen können.
3. Wasserschlauch mit Schnellkupplung am Wasseranschluss anschließen.
4. Wasserhahn öffnen.

DE

**HINWEIS!**

Benötigte Wassermenge und Wasserdruck siehe Kapitel 9.4. Technische Daten.
Bei schlechter Wasserqualität (Schwemmsand etc.) ein Wasserfeinfilter im Wasserzulauf zu montieren.

Zum Anschluss des Gerätes einen gewebeverstärkten Wasserterschlauch mit einer Nennweite von mindestens **3/4" (19 mm)** verwenden.

3.9 Elektrischer Anschluss**ACHTUNG!**

Bei Geräten mit **Spannungsumschaltung** unbedingt darauf achten, dass die korrekte Netzspannung am Gerät eingestellt ist, bevor der Netzstecker in die Steckdose gesteckt wird. Andernfalls können die elektrischen Bauteile des Gerätes zerstört werden.

VORSICHT!

Bei Geräten, die mit Kabeltrommel ausgerüstet sind:

1. Bremse der Kabeltrommel lösen
2. Anschlussleitung ganz abwickeln

VORSICHT!

Das Gerät nur an eine vorschriftsmäßige elektrische Installation anschließen.

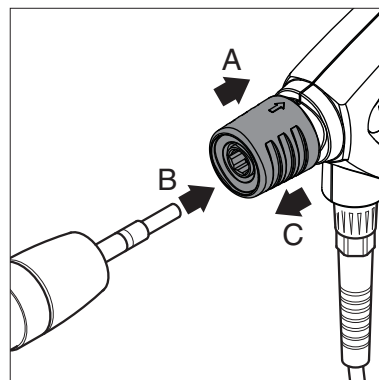
1. Sicherheitshinweise in Kapitel 1 beachten.
2. Gerätestecker in Steckdose stecken.

3.10 Frostschutzmittel auffangen

Das Leitungssystem des Gerätes ist ab Werk mit Frostschutzmittel gefüllt. Die zuerst austretende

Flüssigkeit (ca. 5 l) zur Wiederverwendung in einem Gefäß auffangen.

4 Bedienung / Betrieb

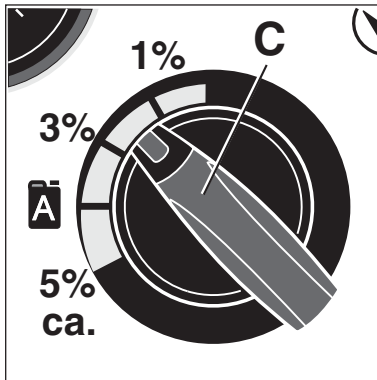
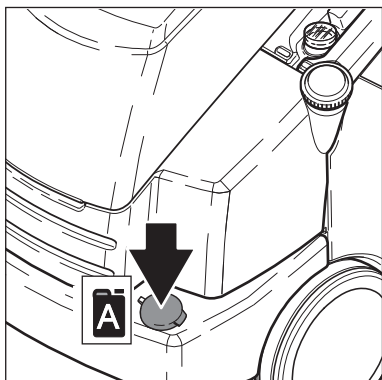
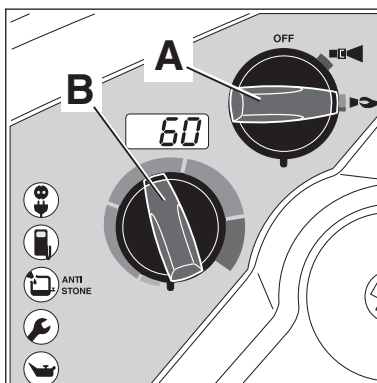
4.1 Anschlüsse**4.1.1 Sprührohr an Spritzpistole anschließen**

1. Den blauen Schnellkuppelungsgriff (A) der Spritzpistole nach hinten ziehen.
2. Den Nippel des Sprührohrs (B) in die Schnellkupplung stecken und diese loslassen.
3. Das Sprührohr (oder den Aufsatz) nach vorne ziehen um sicherzustellen, dass es fest mit der Spritzpistole verbunden ist.

**HINWEIS!**

Den Nippel immer von eventuellen Schmutzteilchen säubern, bevor das Sprührohr mit der Spritzpistole verbunden wird.

4.2 SB-Betrieb/manuellen Betrieb einstellen



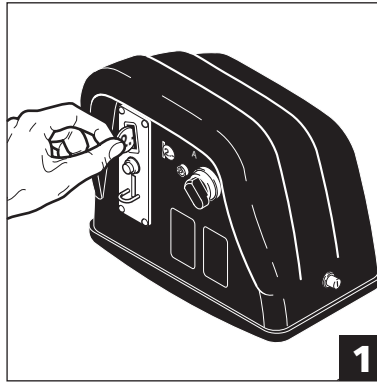
1. Bedienfeld-Abdeckung öffnen.
2. Hauptschalter (A) auf Heißwasserbetrieb einstellen.
3. Temperaturregler (B) auf 60 °C einstellen.
4. Reinigungsmittel-Menge am Dosierventil (C) einstellen. Im SB-Betrieb wird das Reinigungsmittel nur aus Tank A angesaugt.
5. Bedienfeld-Abdeckung schließen.
6. Münzaufsatz öffnen.
7. Funktionsart am Wählschalter (D) auf der Timerplatine einstellen.
8. Reinigungszeit je Münze am Drehschalter (E) mit Schraubendreher einstellen (einstellbar von 30 Sekunden bis 5 Minuten).
9. Münzzähler (F) ablesen: Anzeige zeigt Zahl der eingeworfenen Münzen an.

| Betriebsart | Schalterstellung | Hinweis |
|-----------------------|---------------------------------------|---|
| Manueller Betrieb | ON HW SB oder ON HW SB | Der manuelle Betrieb ist aktiviert, solange der Schalter SB nicht auf ON steht. Der Schalter HW darf sich dabei in jeglicher Stellung befinden. |
| | SB-Betrieb Kaltwasser ON HW SB | |
| SB-Betrieb Heißwasser | ON HW SB | |

¹⁾ Sonderzubehör / Modellvarianten



4.3 SB-Betrieb

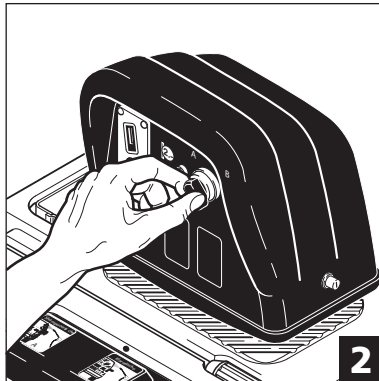


Im SB-Betrieb wird das Gerät über den Münzaufsatz gesteuert.

1. Münze einwerfen.
Der Motor startet.

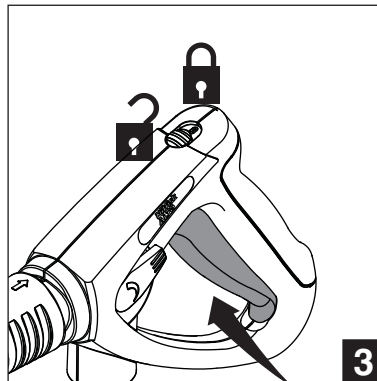
Hinweis:

Die Zeit läuft nach Münzeinwurf kontinuierlich ab, unabhängig davon, ob die Spritzpistole betätigt wird.



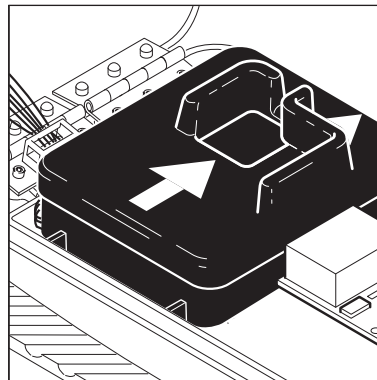
2. Waschprogramm mit Wahlschalter wählen:

- A Shampoowäsche
- B Klarwäsche



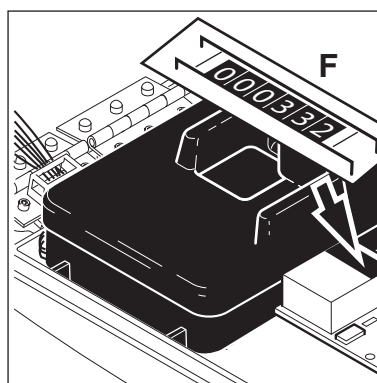
3. Maschine durch Betätigen der Spritzpistole starten.

4.3.1 Tägliche Kontrollen



1. Münzkassette leeren.

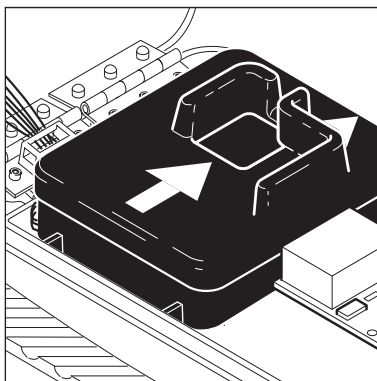
Richtige Einbaulage der Münzkassette (vgl. Markierung) beachten.



2. Münzzähler (F) ablesen:
Anzeige zeigt Zahl der eingeworfenen Münzen an.
3. Niveau in den Betriebsmittelbehältern prüfen:
 - Reinigungsmittel
 - Brennstoff
 - Kalkschutzkonzentrat

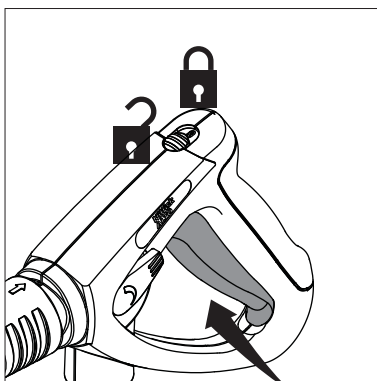
Bei Bedarf (evtl. täglich oder mehrmals täglich) auffüllen.

4.3.2 Außerbetriebnahme



1. Münzkassette leeren.
2. Bedienfeld-Abdeckung öffnen.
3. Hauptschalter in Stellung "OFF" bringen.

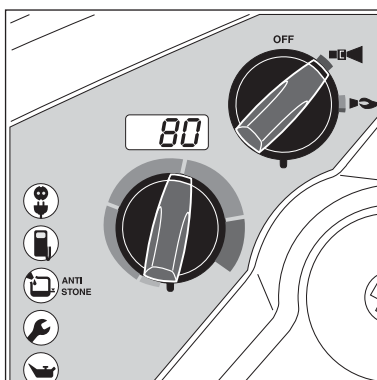
DE





4. Spritzpistole betätigen, bis die Maschine drucklos ist.
5. Betätigungshebel der Spritzpistole verriegeln (auch bei kurzzeitiger Arbeitsunterbrechung, verhindert unbeabsichtigtes Betätigen).
6. Wasserhahn schließen.
7. Maschine in einem frostsicheren Raum abstellen.

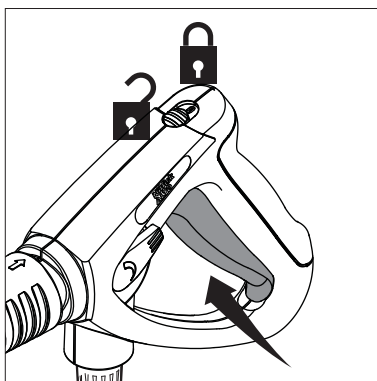
4.4 Gerät einschalten


4.4.1 Kaltwasserbetrieb / Heißwasserbetrieb (bis 100 °C)



1. Hauptschalter in Stellung  (Kaltwasser) bringen.

Die Steuerelektronik führt einen Selbsttest durch. Im Display wird für ca. 1 Sekunde „---“ angezeigt. Der Motor startet.  leuchtet.



2. Hauptschalter in Stellung  (Heißwasser) bringen.
3. Temperatur wählen.
4. Spritzpistole entriegeln und betätigen.
5. Der Brenner schaltet ein.
6. Sicherungsriegel auch bei kurzzeitigen Arbeitsunterbrechungen einlegen.



HINWEIS!

20 Sekunden nach dem Schließen der Spritzpistole schaltet das Gerät automatisch ab. Das

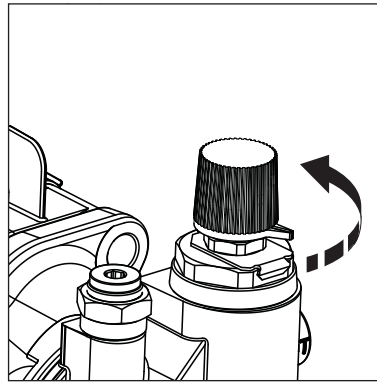
Gerät kann durch Betätigen der Spritzpistole erneut in Betrieb gesetzt werden.


DE

4.4.2 Dampfbetrieb (über 100°C)



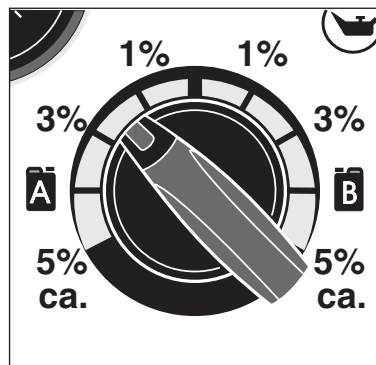
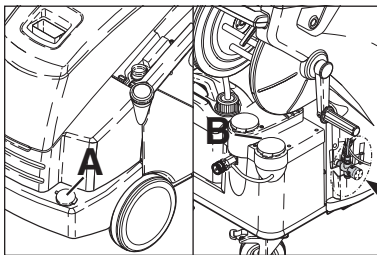
Achten Sie beim Dampfbetrieb auf Austritt von Wasser und Dampf mit einer Temperatur von bis zu 150 °C.



1. Haube und Tür öffnen (siehe Kapitel 3.6, Schritt 1.+2.).
2. Drehknopf am Regelsicherheitsblock entgegen dem Uhrzeigersinn bis zum Anschlag drehen.
3. Hauptschalter in Stellung  bringen.
4. Temperatur wählen (über 100°C).

Für spezielle Anwendungen Strahlrohr mit Dampfdüse verwenden (Sonderzubehör).

4.5 Verwendung von Reinigungsmitteln



Die Prozentangaben in der Abbildung sind nur ungefähre Angaben.

Für spezielle Anwendungen (z.B. Desinfektion) ist die angesaugte Reinigungsmittelmenge durch auslitern zu ermitteln. Wasserdurchsatz des Gerätes siehe Kapitel 9.4 Technische Daten.

Wenn Sie Reinigungsmittel zusammen mit dem Dampfreiniger einsetzen, verringert sich deren Konzentration.



1. Gewünschte Konzentration des Reinigungsmittels (A) oder (B) am Dosierventil einstellen.
2. Das zu reinigende Objekt einsprühen.
3. Je nach Verschmutzungsgrad einwirken lassen. Anschließend mit Hochdruckstrahl klarspülen.

ACHTUNG!

Reinigungsmittel dürfen nicht antrocknen. Die zu reinigende Oberfläche könnte sonst beschädigt werden!

5 Anwendungsgebiete und Arbeitsmethoden

5.1 Arbeitstechniken

Wirkungsvolle Hochdruckreinigung wird erreicht durch Beachtung einiger weniger Richtlinien, kombiniert mit Ihren eigenen Erfahrungen in speziellen Bereichen. Zubehör und Reinigungsmittel können, wenn sie korrekt eingesetzt werden, die Reinigungswirkung verstärken. Hier finden sie einige grundsätzliche Hinweise.

5.1.1 Einweichen

Verkrustete und dicke Schichten von Schmutz können gelöst oder aufgeweicht werden, wenn diese eine zeitlang eingeweicht werden. Eine ideale Methode insbesondere in der Landwirtschaft – zum Beispiel in Schweineställen. Die beste Wirkung wird erreicht durch Einsatz von Schaum- und alkalischen Reinigern. Oberfläche mit Reinigungsmittellösung einsprühen und 30 Minuten einwirken lassen. Danach kann wesentlich schneller mit dem Hochdruckstrahl gereinigt werden.

5.1.2 Reinigungsmittel und Schaum aufbringen

Reinigungsmittel und Schaum sollten auf die trockene Oberfläche aufgesprüht werden damit das Reinigungsmittel ohne weitere Verdünnung mit dem Schmutz in Kontakt kommt. An senkrechten Flächen von unten nach oben arbeiten, um Schlieren zu vermeiden, wenn die Reinigungsmittellösung abläuft. Einige Minuten einwirken lassen bevor mit dem Hochdruckstrahl gereinigt wird. Reinigungsmittel nicht antrocknen lassen.



5.1.3 Temperatur

Die Reinigungswirkung wird bei höheren Temperaturen verstärkt. Insbesondere Fette und Öle können leichter und schneller gelöst werden. Proteine können bei Temperaturen um 60°C am besten gelöst werden, Öle und Fette bei 70°C bis 90°C.

5.1.4 Mechanische Einwirkung

Um starke Schmutzschichten aufzulösen, wird zusätzliche mechanische Einwirkung notwendig. Spezielle Sprührohre und (rotierende) Waschbürsten bieten den besten Effekt um die Schmutzschicht zu lösen.

5.1.5 Große Wasserleistung und hoher Druck

Hoher Druck ist nicht immer die beste Lösung und zu hoher Druck kann Oberflächen beschädigen. Die Reinigungswirkung hängt ebenso von der Wasserleistung ab. Ein Druck von 100 bar ist für die Fahrzeugreinigung ausreichend (in Verbindung mit warmem Wasser). Größere Wasserleistung ermöglicht das Spülen und den Transport des gelösten Schmutzes.

5.2 Typische Anwendungen

5.2.1 Landwirtschaft

| Anwendung | Zubehör | Methode |
|---|---|---|
| Ställe Schweinepferch Reinigung von Wänden, Böden, Einrichtung Desinfektion | Schauminjektor Schaumlanze Powerspeed Floor Cleaner Reinigungsmittel Universal Alkafoam Desinfektion DES 3000 | <ol style="list-style-type: none"> 1. Einweichen – Schaum auf alle Oberflächen aufbringen (von unten nach oben) und 30 Minuten einwirken lassen. 2. Schmutz mit Hochdruck und ggf. entsprechendem Zubehör entfernen. An senkrechten Flächen wieder von unten nach oben arbeiten. 3. Zum Transport von großen Schmutzmengen auf größtmöglichen Wasserdurchsatz einstellen 4. Um die Hygiene sicherzustellen, nur empfohlene Desinfektionsmittel benutzen. Desinfektionsmittel nur nach vollständiger Entfernung des Schmutzes auftragen. |
| Fuhrpark Traktor, Pflug etc. | Standard Lanze Reinigungsmittel- injektor Powerspeed Lanze Gebogene Lanze und Unterbodenwäscher Bürsten | <ol style="list-style-type: none"> 1. Reinigungsmittel auf die Oberfläche aufbringen um den Schmutz zu lösen. Von unten nach oben arbeiten. 2. Mit dem Hochdruckstrahl abspülen. Wieder von unten nach oben arbeiten. Benutzen Sie Zubehör um an schwer zugänglichen Stellen zu reinigen. 3. Reinigen sie empfindliche Teile wie Motoren und Gummi mit niedrigerem Druck um Beschädigungen zu vermeiden. |



5.2.2 Fahrzeuge

| Anwendung | Zubehör | Methode |
|----------------------------|--|--|
| Fahrzeugoberflächen | Standard Lanze Reinigungsmittel-injektor Gebogene Lanze und Unterbodenwäscher Bürsten. Reinigungsmittel Aktive Shampoo Aktive Foam Sapphire Super Plus Aktive Wax Allosil RimTop | <ol style="list-style-type: none"> 1. Reinigungsmittel auf die Oberfläche aufbringen um den Schmutz zu lösen. Von unten nach oben arbeiten. Um Insektenreste zu entfernen mit z.B. Allosil vorsprühen, dann mit Niederdruck spülen und das ganze Fahrzeug unter Zugabe von Reinigungsmittel reinigen. Reinigungsmittel für ca. 5 Minuten einwirken lassen. Metallische Oberflächen können mit RimTop gereinigt werden. 2. Mit dem Hochdruckstrahl abspülen. Wieder von unten nach oben arbeiten. Benutzen Sie Zubehör um an schwer zugänglichen Stellen zu reinigen. Benutzen Sie Bürsten. Kurze Sprührohre sind für die Reinigung von Motoren und Radkästen. Gebogene Sprührohre oder Unterbodenwäscher verwenden. 3. Reinigen sie empfindliche Teile wie Motoren und Gummi mit niedrigerem Druck um Beschädigungen zu vermeiden. 4. Bringen Sie mit dem Hochdruckreiniger Flüssigwachs auf, um die Wiederanschmutzung zu verringern. |

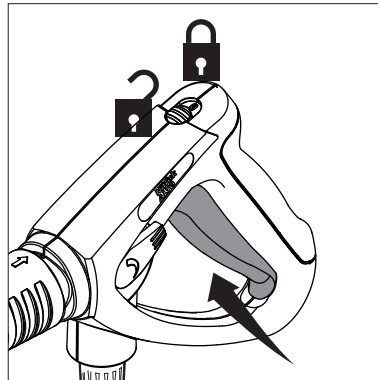
5.2.3 Bau und Industrie

| Anwendung | Zubehör | Methode |
|---|---|--|
| Oberflächen Metallische Gegenstände | Schauminjektor Standard Lanze Gebogene Lanze Tankreinigungskopf Reinigungsmittel Intensive J25 Multi Combi Aktive Alkafoam Desinfektion DES 3000 | <ol style="list-style-type: none"> 1. Eine dicke Schaumschicht auf die trockene Oberfläche aufbringen. An senkrechten Flächen von unten nach oben arbeiten. Schaum für ca. 30 Minuten einwirken lassen für optimalen Effekt. 2. Mit dem Hochdruckstrahl abspülen. Benutzen Sie entsprechendes Zubehör. Hohen Druck verwenden um den Schmutz zu lösen. Niederen Druck und hohe Wassermenge verwenden um den Schmutz abzutransportieren. 3. Desinfektionsmittel nur nach vollständiger Entfernung des Schmutzes auftragen. <p>Starke Verschmutzungen, z.B. in Schlachthöfen, können mit großer Wassermenge abtransportiert werden.</p> <p>Tankreinigungsköpfe dienen zur Reinigung von Fässern, Bottichen, Misch tanks usw. Tankreinigungsköpfe sind hydraulisch oder elektrisch angetrieben und ermöglichen eine automatische Reinigung ohne ständige Beobachtung.</p> |
| Verrostete, beschädigte Oberflächen vor der Behandlung | Nassstrahleinrichtung | <ol style="list-style-type: none"> 1. Naßstrahleinrichtung mit dem Hochdruckreiniger verbinden und Saugschlauch in den Sandbehälter stecken. 2. Während der Arbeit Schutzbrille und -kleidung tragen. 3. Mit dem Sand/Wasser-Gemisch kann Rost und Lack entfernt werden. 4. Nach dem Sandstrahlen Oberflächen versiegeln gegen Rost (Metall) oder Fäulnis (Holz). |

Dies sind nur einige Anwendungsbeispiele. Jede Reinigungsaufgabe ist unterschiedlich. Bitte setzen Sie sich bezüglich der besten Lösung für Ihre Reinigungsaufgabe mit Ihrem Nilfisk-Alto Händler in Verbindung.

DE 6 Nach der Arbeit

6.1 Gerät ausschalten

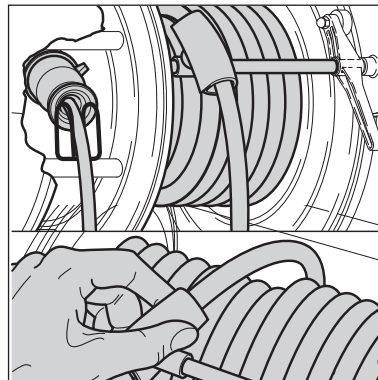


1. Hauptschalter ausschalten, Schalter auf Stellung "OFF".
2. Wasserhahn schließen.
3. Spritzpistole betätigen, bis das Gerät drucklos ist.
4. Sicherungsriegel an der Spritzpistole einlegen.

6.2 Versorgungsleitungen trennen

1. Wasserhahn schließen.
2. Gerät einschalten und Spritzpistole betätigen, bis der Wasserdruck abgebaut ist.
3. Sicherungsriegel an der Spritzpistole einlegen.
4. Gerät ausschalten.
5. Wasserschlauch vom Gerät trennen.
6. Gerätestecker aus der Steckdose ziehen.

6.3 Aufrollen von Anschlussleitung und Hochdruckschlauch und Verstauen von Zubehör



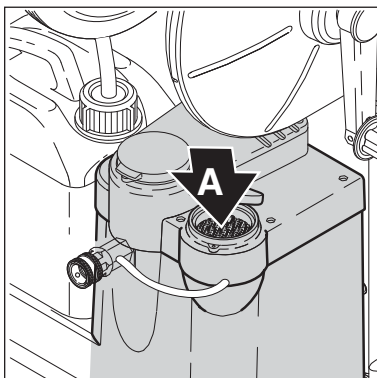
Stolpergefahr!

Um Unfällen vorzubeugen, sollten Anschlussleitung und Hochdruckschlauch immer sorgfältig aufgerollt werden.

Bei Maschinen mit Schlauchtrommel/Kabeltrommel:

1. Anschlussleitung wie in der Abbildung gezeigt aufrollen.
2. Hochdruckschlauch wie in der Abbildung gezeigt aufrollen.
3. Sprührohr und Zubehör in die Halterungen einlegen.

6.4 Aufbewahrung (frostsichere Lagerung)



Gerät in einem trockenen, frostsicheren Raum abstellen oder wie nachfolgend beschrieben frostsicher machen:

1. Wasserzulaufschlauch vom Gerät trennen.
2. Sprührohr abnehmen.
3. Gerät einschalten, Schalterstellung „**OFF**“.
4. Spritzpistole betätigen.
5. Frostschutzmittel (ca. 5 l) nach und nach in den Wasserkasten (A) einfüllen.
6. Während des Ansaugvorgangs Spritzpistole 2 bis 3 mal betätigen.
7. Das Gerät ist frostsicher, wenn Frostschutzmittellösung aus der Spritzpistole austritt.
8. Sicherungsriegel an der Spritzpistole einlegen.
9. Gerät ausschalten, Schalterstellung „**OFF**“.
10. Um jedes Risiko zu vermeiden, ist das Gerät vor der Wiederinbetriebnahme möglichst in einem beheizten Raum zwischenzulagern.
11. Bei der nächsten Inbetriebnahme die Frostschutzmittellösung zur Wiederverwendung auffangen.

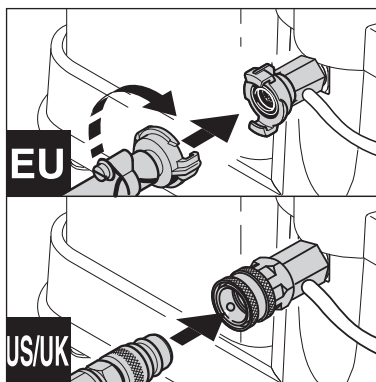
7 Wartung

7.1 Wartungsplan

| | Wöchentlich | Nach den ersten 50 Betriebsstunden | Alle 6 Monate oder alle 500 Betriebsstunden | Bei Bedarf |
|--------------------------------|-------------|------------------------------------|---|------------|
| 7.2.1 Wasserfilter reinigen | | | | ● |
| 7.2.2 Ölfilter reinigen | | | | ● |
| 7.2.3 Pumpenölkontrolle | ● | | | |
| 7.2.4 Pumpenölwechsel | | ● | ● | |
| 7.2.5 Brennstofftank entleeren | | | | ● |
| 7.2.6 Flammensensor | | | | ● |

7.2 Wartungsarbeiten

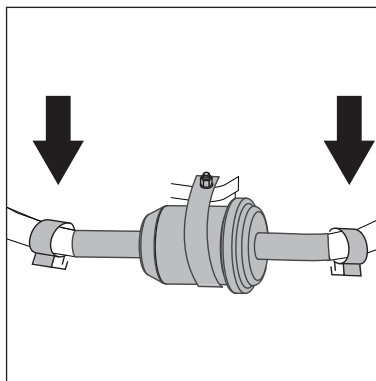
7.2.1 Wasserfilter reinigen



Im Wasserzulauf sind zwei Siebe montiert die größere Schmutzpartikel zurückhalten, damit diese nicht in die Hochdruckpumpe gelangen.

1. Kupplung abschrauben.
2. Filter mit einem Werkzeug herausnehmen und reinigen.

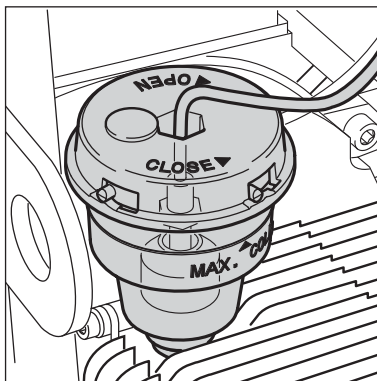
7.2.2 Ölfilter reinigen



1. Filter reinigen/erneuern: Filterdeckel (1) abschrauben
2. Ölfilter (2) herausnehmen und reinigen/erneuern.
3. Reinigungsflüssigkeit / defekten Filter ordnungsgemäß entsorgen.

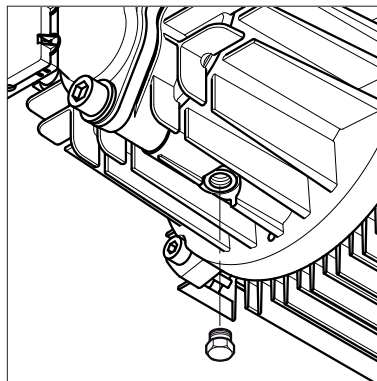
DE

7.2.3 Pumpenölkontrolle



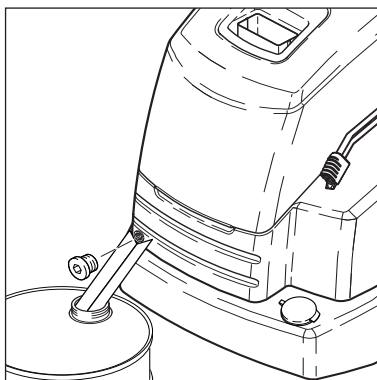
1. Farbton des Pumpenöls prüfen.
Bei grauem oder weißem Farbton des Pumpenöls Ölwechsel wie in Kapitel 7.2.4 beschrieben durchführen.
2. Falls erforderlich Pumpenöl bei kalter Maschine nachfüllen.
Ölsorte siehe Kapitel '9.4 Technische Daten'.

7.2.4 Pumpenölwechsel



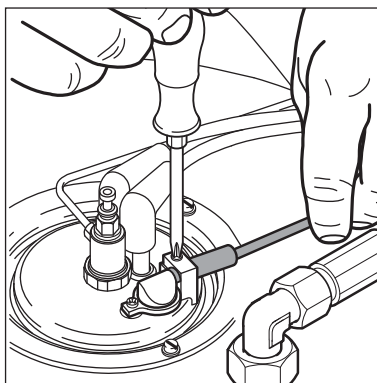
1. Ölablassschraube **(A)** an der Unterseite des Pumpengehäuses öffnen, das austretende Öl in einem geeigneten Behälter auffangen und bestimmungsgemäß entsorgen.
2. Dichtung überprüfen und Schraube wieder einsetzen.
3. Öl einfüllen und Öleinfüllstutzen schließen.
Ölsorte und Ölmenge siehe Kapitel '9.4 Techn. Daten'.

7.2.5 Brennstofftank entleeren



1. Behälter bereitstellen, der geeignet ist, die gesamte Menge des Tankinhalts aufzunehmen.
2. Ablaufrinne am Verschluss-Stopfen des Brennstofftanks in Position bringen.
3. Verschluss-Stopfen lösen und Tankinhalt in den bereitgestellten Behälter ablaufen lassen. Darauf achten, dass kein Brennstoff verschüttet wird.
4. Dichtung überprüfen und Verschluss-Stopfen wieder einsetzen.
5. Tank auf Dichtheit prüfen.











7.2.6 Flammensensor



1. Sensor herausnehmen und mit einem weichen Tuch reinigen.
2. Beim Einsetzen auf korrekten Sitz achten.









8 Behebung von Störungen

8.1 Anzeigen am Display



| Anzeige am Display | Ursache | Behebung |
|--|--|---|
| FLF | > Flowsensor Fehler |  Nilfisk-Alto Service verständigen Kaltwasserbetrieb möglich |
| FLO | > Wasserhahn geschossen oder Wasserzufluss zu gering > Reinigungsmitteltank leer > Wassermengen-Einstellung am Sicherheits-Schaltkasten zu niedrig > Gerät verkalkt | <ul style="list-style-type: none"> • Anforderungen siehe Kapitel 9.4 Technische Daten • Reinigungsmitteltank auffüllen oder Dosierventil in Stellung "OFF" bringen • Drehen Sie den Drehgriff am Sicherheits-Schaltkasten auf höheren Wasserdruck/Wassermenge  Nilfisk-Alto Service verständigen |
| FUE  | > Brennstoff minimum | • Brennstoff nachfüllen Kaltwasserbetrieb möglich |
| HOP | > Motor überhitzt | <ul style="list-style-type: none"> • Hauptschalter in Stellung "OFF" bringen, Gerät abkühlen lassen • Stecker direkt in Steckdose stecken (ohne Verlängerungsleitung) • evtl. Phasenausfall; elektrischen Anschluss überprüfen lassen |
| HOS | > Gerät überhitzt |  Nilfisk-Alto Service verständigen |
| LEA | > Leckage oder unzulässiger Betriebszustand durch Kurzzeitbetrieb > Spritzpistole undicht > Hochdruckschlauch, Hochdruckverschraubung oder Rohrleitung undicht > Reinigungsmitteltank leer > Filter im Wasserzulauf verschmutzt > Hochdruckpumpe saugt Luft | <ul style="list-style-type: none"> • Nach dreimaligem Kurzzeitbetrieb schaltet das Gerät ab. Reset: Hauptschalter in Stellung "OFF" bringen, dann erneut starten. Spritzpistole länger als 3 Sekunden gedrückt halten. • Spritzpistole überprüfen • Verschraubungen nachziehen, Hochdruckschlauch oder Rohrleitung erneuern • Reinigungsmitteltank auffüllen oder Dosierventil in Stellung "OFF" bringen • Filter reinigen (siehe Kapitel 7.2.1) • Undichtigkeiten beseitigen |
| LHE | > Flammensensor verrußt > Fehler an Zünd- oder Brennstoffsystem | <ul style="list-style-type: none"> • Flammensensor herausnehmen und reinigen (siehe Kapitel 7.2.6)  Nilfisk-Alto Service verständigen Kaltwasserbetrieb möglich |
| LHL | > Brennerstörung |  Nilfisk-Alto Service verständigen Kaltwasserbetrieb möglich |
| POL  | > Pumpenölstand zu gering | • Pumpenöl nachfüllen (siehe Kapitel 7.2.3) |
| SEC | > Temperatursensor defekt |  Nilfisk-Alto Service verständigen Kaltwasserbetrieb möglich |
| SEO | > Temperatursensor defekt |  Nilfisk-Alto Service verständigen Kaltwasserbetrieb möglich |
| UPC | > Microprozessor Fehler |  Nilfisk-Alto Service verständigen |

DE

8.2 Anzeigen am Bedienfeld

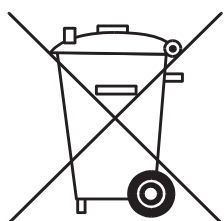
| Anzeige am Bedienfeld | Ursache | Behebung |
|--|---|---|
|  blinkt | > siehe <i>FLÜ</i> | • siehe <i>FLÜ</i> |
|  | > Brennstoff minimum | • Brennstoff nachfüllen Kaltwasserbetrieb möglich |
|  ANTI STONE | > Nilfisk-Alto AntiStone minimum | • Nilfisk-Alto AntiStone nachfüllen |
|  blinkt | > Service-Intervall: Service in 20 Stunden fällig |  Nilfisk-Alto Service verständigen |
|  leuchtet | > Service-Intervall abgelaufen |  Nilfisk-Alto Service verständigen |
|  leuchtet | > Pumpenöl minimum | • Pumpenöl nachfüllen |

8.3 Weitere Störungen

| Störung | Ursache | Behebung |
|--|--|--|
|  leuchtet nicht auf | > Netzstecker nicht eingesteckt | • Stecker in Steckdose stecken • Ausreichende Absicherung prüfen (siehe Kapitel 9.4 Technische Daten) |
| Druck zu niedrig | > Hochdruckdüse verschlissen > Druckeinstellung zu niedrig | • Hochdruckdüse erneuern • Drehen Sie den Drehgriff am Sicherheits-Schaltkasten in Uhrzeigerichtung (+) |
| Maschine läuft unruhig | > Hochdruckpumpe saugt Luft aus leerem Reinigungsmittelbehälter | • Reinigungsmittel-Dosierventil schließen. Sprührohr von Spritzpistole abnehmen. Spritzpistole betätigen und Maschine laufen lassen, bis die Luft aus dem System entwichen ist und die Pumpe wieder ruhig läuft. |
| Reinigungsmittel bleiben aus | > Reinigungsmittelbehälter leer > Reinigungsmittelbehälter verschlamm > Filter im Reinigungsmittelbehälter verschmutzt | • Reinigungsmittelbehälter auffüllen • Reinigungsmittelbehälter reinigen • Filter ausbauen und reinigen |
| Brenner rußt | > Brennstoff verunreinigt > Brenner verschmutzt oder nicht korrekt eingestellt |  Nilfisk-Alto Service verständigen |

9 Sonstiges

9.1 Gerät der Wiederverwertung zuführen



Das ausgediente Gerät sofort unbrauchbar machen.

1. Netzstecker ziehen und Anschlussleitung durchtrennen.

Werfen Sie Elektrogeräte nicht in den Hausmüll!

Gemäß Europäischer Richtlinie 2002/96/EG über Elektro- und Elektronik-Altgeräte müssen verbrauchte Elektrogeräte getrennt gesammelt und einer umweltgerechten Wiederverwertung zugeführt werden.



Bei Fragen wenden Sie sich bitte an Ihre Gemeindeverwaltung oder Ihren nächsten Händler.

9.2 Garantie

Für Garantie und Gewährleistung gelten unsere allgemeinen Geschäftsbedingungen.

Änderungen im Zuge technischer Neuerungen vorbehalten.

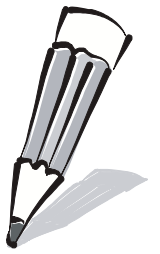
**9.3 EG-Konformitätserklärung**

|  EG - Konformitätserklärung | |
|---|---|
| Erzeugnis: | Hochdruckreiniger |
| Typ: | NEPTUNE 5 |
| Beschreibung: | 400 V 3~ 50 Hz IPX5 400/230 V 3~ 50 Hz IPX5 230-240 V 1~50Hz IPX5 |
| Die Bauart des Gerätes entspricht folgenden einschlägigen Bestimmungen: | EG-Maschinenrichtlinie 2006/42/EG EG-Niederspannungsrichtlinie 2006/95/EEG EG-Richtlinie EMV 2004/108/EEG |
| Angewendete harmonisierte Normen: | EN ISO 12100-1, EN ISO 12100-2, EN 60335-2-79 EN 55014-1, EN 55014-2, EN 61000-3-2 |
| Angewendete nationale Normen und technische Spezifikationen: | DIN EN 60335-2-79 |
| | Nilfisk-Advance A/S Industrivej 1 DK-9560 Hadsund |
|  Dipl. Ing. Wolfgang Nieuwkamp Prüfungen und Zulassungen | Hadsund, 01.06.2009 |



9.4 Technical Data

| NEPTUNE 5 | | SB FA | |
|---|--|------------------|----------------------|
| Voltage 200 V / 3~ / 50Hz | | | |
| Voltage 200 V / 3~ / 60Hz | | | |
| Voltage 400 V / 3~ / 50Hz | | | EU |
| Voltage 400/230 V / 3~ / 50Hz | | | |
| Voltage 440-220 V / 3~ / 60Hz | | | |
| Fuse | | A | 10 |
| Power rating | | kW | 4.1 |
| Power consumption | | A | 8 |
| Type of protection | | | IP X5 |
| Working pressure | | bar (Mpa) | 80(8) |
| Permissible pressure P_{max} | | bar (Mpa) | 120 |
| Volume flow (max) | | l/h | 860 |
| Volume flow Q_{IEC} | | l/h | 800 |
| High pressure nozzle | | | 0750 |
| Temperature t_{max} , hotwater | | °C | 80 |
| Temperature t_{max} , steam | | °C | 150 |
| Max. water inlet temperature | | °C | 40 |
| Max. water inlet pressure | | bar (Mpa) | 10(1) |
| Dimensions l x w x h | | mm | 1190 x 702 x 987 |
| Weight | | kg | 205 |
| Calculated sound pressure at a distance of 1 m L_{pA} EN 60704-1 | | dB(A) | 78 |
| Sound power level $L_{WA MAX}$ | | dB(A) | 96 |
| Vibration ISO 5349 | | m/s ² | < 2.5 |
| Recoil forces | | N | 23 |
| Heating capacity | | kW | 67 |
| Fuel tank | | l | 35 |
| Detergent tank A / B | | l | 15/10 |
| Oil quantity | | l | 0.75 |
| Oil type | | | BP Energol GR-XP 220 |



Nilfisk ALTO

Why Compromise
<http://www.nilfisk-advance.com>

HEAD QUARTER

DENMARK

Nilfisk-Advance Group
Sognevej 25
DK-2605 Brøndby
Tel.: (+45) 4323 8100
E-mail: mail.com@nilfisk-advance.com

SALES COMPANIES

ARGENTINA

Nilfisk-Advance srl.
Edificio Central Park
Herrera 1855, Office 604
Ciudad Autónoma de Buenos Aires
Tel.: (+54) 11 6091 1571

AUSTRALIA

Nilfisk-Advance
48 Egerton St.
P.O. Box 6046
Silverwater, N.S.W. 2128
Tel.: +61 2 8748 5900
E-mail: info@nilfisk-advance.com.au

AUSTRIA

Nilfisk-Advance GmbH
Metzgerstrasse 68
5101 Bergheim bei Salzburg
Tel.: 0662 456 400-14
E-mail: info.at@nilfisk-advance.com

BELGIUM

Nilfisk-Advance n.v.s.a.
Riverside Business Park
Boulevard Internationelaan 55
Bâtiment C3/C4 Gebouw
Bruxelles 1070
Tel.: (+32) 2 467 60 50
E-mail: info.be@nilfisk-advance.com

CANADA

Nilfisk-Advance
240 Superior Boulevard
Mississauga, Ontario L5T 2L2
Tel.: (+1) 905 564 1149
E-mail: info@advance.ca.com

CHILE

Nilfisk-Advance de Chile
San Alfonso 1462
Santiago
Tel.: (+56) 2 684 5000
E-mail: Pablo.Noriega@nilfisk-advance.com

CHINA

Nilfisk-Advance (Suzhou)
Building 18, Suchun Industrial Estate
Suzhou Industrial Park
215021 Suzhou
Tel.: (+86) 512 6265 2525

CZECH REPUBLIC

Nilfisk-Advance
VGP Park Horní Počernice
Do Čertous 1/2658
193 00 Praha 9
Tel.: (+420) 24 14 08 419

DENMARK

Nilfisk-Advance A/S
Industrivej 1
9560 Hadsund
Tel.: +45 7218 2100
E-mail: salg.dk@nilfisk-advance.com

FINLAND

Nilfisk-Advance Oy Ab
Piispantilankuja 4
02240 Espoo
Tel.: +358 207 890 600
E-mail: asiakaspalvelu.fi@nilfisk.com

FRANCE

Nilfisk-Advance
26 Avenue de la Baltique
Villebon sur Yvette
91944 Courtabouef Cedex
Tel.: (+33) 1 69 59 87 00
E-mail: info.fr@nilfisk-advance.com

GERMANY

Nilfisk-ALTO
Geschäftsbereich der Nilfisk Advance AG
Guido-Oberdorfer-Strasse 10
D-89287 Bellenberg
Tel.: +49 (0) 180 5 37 37 37
E-mail: info.de@nilfisk-alto.com

GREECE

Nilfisk-Advance SA
8, Thoukididou str.
164 52 Argiroupolis
Tel.: +30 210 911 9600
E-mail: nilfisk-advance@clean.gr

HOLLAND

Nilfisk-Advance
Versterkerstraat 5
1322 AN Almere
Tel.: (+31) 36 546 07 00
E-mail: info.nl@nilfisk-advance.com

HONG KONG

Nilfisk-Advance Ltd.
Room 2001 HK Worsted Mills
Industrial Building
31-39 Wo Tong Tsui Street
Kwai Chung
Tel.: (+852) 24 27 59 51

HUNGARY

Nilfisk-Advance Kereskedelmi Kft.
II. Rákóczi Ferenc út 10
2310 Szigetszentmiklos-Lakihegy
Tel.: (+36) 24475 550
E-mail: info@nilfisk-advance.hu

INDIA

Nilfisk-Advance India Limited
349, Business Point,
No 201, 2nd floor, above Popular Car World,
Western Express High way, Andheri (East),
Mumbai - 400 069
Tel.: (+91) 223 2174592

IRELAND

Nilfisk-Advance
1 Stokes Place
St. Stephen's Green
Dublin 2
Tel.: (+35) 3 12 94 38 38

ITALY

Nilfisk-Advance SpA
Strada Comunale della Braglia, 18
26862 Guardamiglio (LO)
Tel.: +39 0377 41 40 46
E-mail: mercato.italia@nilfisk-advance.it

JAPAN

Nilfisk-Advance Inc.
1-6-6 Kita-shinyokohama, Kouhoku-ku
Yokohama, 223-0059
Tel.: (+81) 45 548 2571

KOREA

Nilfisk-Advance
Kumwon B/D 3F, 471-4, Gunja-Dong
Gwangjin-Ku
Tel.: (+82) 2497 8636

MALAYSIA

Nilfisk-Advance Sdn Bhd
Sd 14, Jalan KIP 11
Taman Perindustrian KIP
Sri Damansara
52200 Kuala Lumpur
Tel.: (+603) 62753120

MEXICO

Nilfisk-Advance de Mexico, S. de R.L. de C.V.
Prol. Paseo de la Reforma 61, 6-A2
Col. Paseo de las Lomas
01330 Mexico, D.F.
Tel.: +52 55 2591 1002 (switchboard)
E-mail: info@advance-mx.com

NEW ZEALAND

Nilfisk-Advance
Danish House
6 Rockridge Avenue
Penrose, Auckland 1135
Tel.: (+64) 95 25 00 92

NORWAY

Nilfisk-ALTO
Division of Nilfisk-Advance
Bjørnerudveien 24
1266 Oslo
Tel.: (+47) 22 75 17 70
E-mail: info.no@nilfisk-alto.com

POLAND

Nilfisk-Advance Sp. Z.O.O.
05-800 Pruszków
ul. 3-go MAJA 8
Tel.: +48 22 738 37 50

PORTUGAL

Nilfisk-Advance
Sintra Business Park
Zona Industrial Da Abrunheira
Edificio 1, 1º A
P2710-089 Sintra
Tel.: +35 121 911 2670
E-mail: mkt.pt@nilfisk-advance.com

RUSSIA

Нилфиск-Эдванс
127015 Москва
Вятская ул. 27, стр. 7
Россия
Tel.: (+7) 495 783 96 02
E-mail: info@nilfisk.ru

SINGAPORE

Nilfisk-Advance Pte. Ltd.
40 Loyang Drive
Singapore 508961
Tel.: (+65) 6759 9100

SPAIN

Nilfisk-Advance S.A.
Torre D'Ara
Paseo del Rengle, 5 Pl. 10
08302 Mataró
Tel.: (+3) 4 93 741 2400
E-mail: mkt.es@nilfisk-dvance.com

SWEDEN

Nilfisk-ALTO
Division of Nilfisk-Advance
Aminogatan 18
Box 40 29
431 04 Mölndal
Tel.: (+46) 31 706 73 00
E-mail: info.se@nilfisk-alto.com

SWITZERLAND

Nilfisk-Advance
Ringstrasse 19
Kircheberg/Industri Stelzi
9500 Wil
Tel.: (+41) 719 23 84 44
E-mail: info.ch@nilfisk-advance.com

TAIWAN

Nilfisk-Advance Taiwan Branch
1F, No. 193, sec. 2, Xing Long Rd.
Taipei
Tel.: (+88) 6227 002 268

THAILAND

Nilfisk-Advance Co. Ltd.
89 Soi Chochechai-Ruammitr
Viphavadee-Rangsit Road
Ladyao, Jatuchak, Bangkok 10900
Tel.: (+66) 2 275 5630

TURKEY

Nilfisk-Advance Profesyonel Temizlik
Ekipmanlari Tic. A/S.
Necla Cad. No. 48
Yenisahra / Kadiköy
Istanbul
Tel.: (+90) 216 470 08 - 60
E-mail: info.tr@nilfisk-advance.com

UNITED KINGDOM

Nilfisk-Advance Ltd.
Unit 24
Hillside Business Park
Kempson Way
Bury St. Edmunds
Suffolk IP32 7EA
Tel.: (+49) 01284 763163
E-mail: sales.uk@nilfisk-advance.com

UNITED ARAB EMIRATES

Nilfisk-Advance Middle East Branch
SAIF-Zone
P.O. Box 122298
Sharjah
Tel.: (+971) 553 2626 82

USA

Nilfisk-Advance Inc.
14600 21st Avenue North
Plymouth, MN 55447-3408
Tel.: (+1) 763 745 3500

VIETNAM

Nilfisk-Advance Representative Office
No. 51 Doc Ngu Str.
Ba Dinh Dist.
Hanoi
Tel.: (+04) 761 5642
E-mail: nilfisk@vnn.vn